



COOLUM PLUS S9067 - 6W

6 watt dimmable downlight, UGR<19, with flex and plug termination

Application

Perfect for residential or commercial interior applications

Design Specifications

- 6 watt integral dimmable driver
- A very versatile design supplied with flex and plug fitted for easy installation
- CRI > 80, CCT 3000, beam distribution 60 degree, UGR<19
- Poly trim and body colour white or black
- IC - 4 rated
- 72mm cut-out



Performance

Dimmable Driver - YES

Technical Specification

Model No.	Description	Input (V)	Power (W)	Lumens (lm)	Beam Angle (°)	Dimmable Driver
S9067WW/WH	LED D/L 6W IP44 3K WH DIM	240	6	470	60	YES
S9067WW/BK	LED D/L 6W IP44 3K BK DIM	240	6	400	60	YES

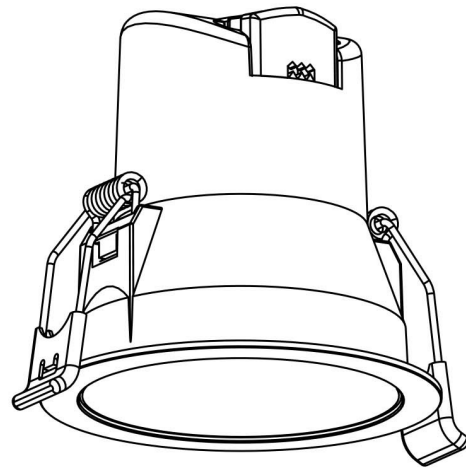
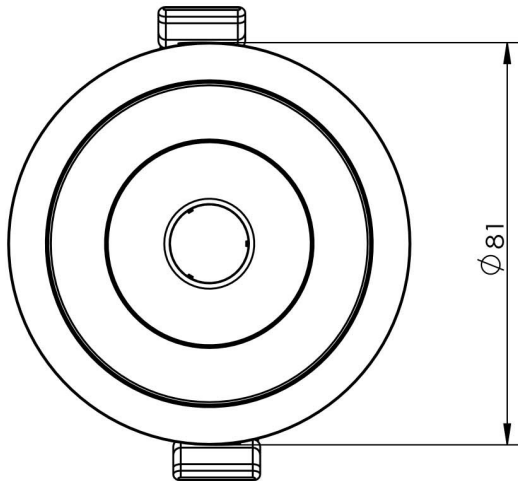
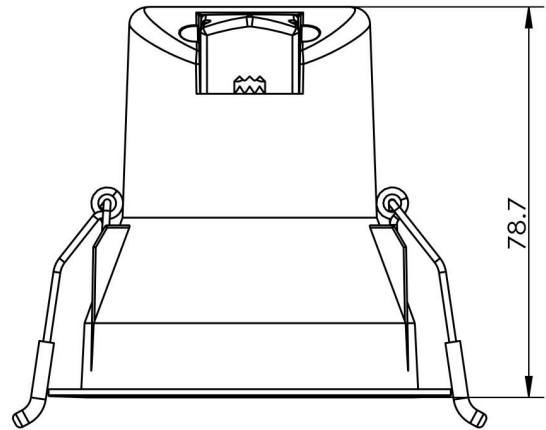
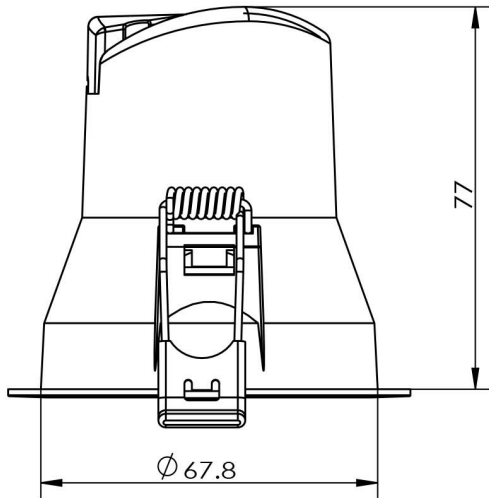
Model No.	CCT (K)
S9067WW/WH	3000
S9067WW/BK	3000

Due to continued product and technology enhancements, data sourced from sal.net.au shall not form part of any contract and or technical performance guarantee unless expressly confirmed in writing by SAL at the time of order. Products are sold in accordance with [SAL Terms and Conditions of sale](#) and all images shown are for illustration purposes only and may vary from the actual colour or finish.



Dimensions

S9067



Product Images

