



COOLUM PLUS S9067 - 6W

6 watt dimmable downlight, UGR<19, with flex and plug termination

Application

Ideal for residential or commercial interior applications

Design Specifications

- 6 watt integral dimmable driver
- A versatile design supplied with flex and plug fitted for easy installation
- High efficiency SMD LED chips, multi-faceted optical system
- CRI > 80, CCT 3000, beam distribution 60 degree, UGR<19
- Polyamide trim and body colour white or black
- IC - 4 rated

Performance

Dimmable - **YES**



-  IP44
-  ta40
-  □
-  DIMMABLE
-  IC-4
-  FLEX & PLUG 2 PIN
-  3 YEARS COMMERCIAL WARRANTY
-  5 YEARS RESIDENTIAL WARRANTY
-  WARM WHITE 3000K

Technical Specification

Model No.	Input Voltage (V/AC)	Power (W)	Lumens (lm)	CCT (K)	Beam Angle (°)	Dimmable
S9067WW/WH	240	6	470	3000	60	YES
S9067WW/BK	240	6	400	3000	60	YES

Technical Specification

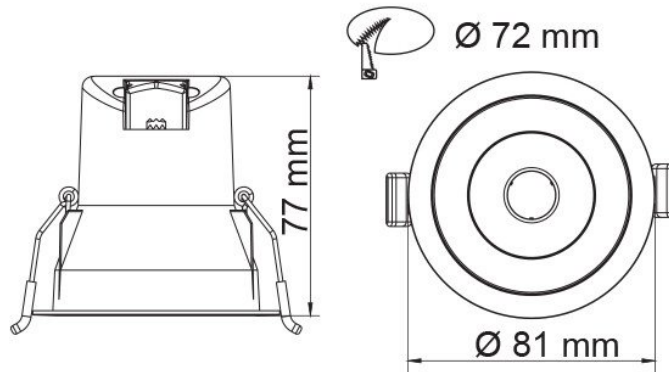
Model No.	Cut Out (mm)	Diameter (mm)	Dim (mm)
S9067WW/WH	72	81	77(H)
S9067WW/BK	72	81	77(H)

Due to continued product and technology enhancements, data sourced from sal.net.au shall not form part of any contract and or technical performance guarantee unless expressly confirmed in writing by SAL at the time of order. Products are sold in accordance with [SAL Terms and Conditions of sale](#) and all images shown are for illustration purposes only and may vary from the actual colour or finish. Unless specifically stated, all IP ratings nominated for Interior products are from "below the ceiling".

Dimensions



Dimensions

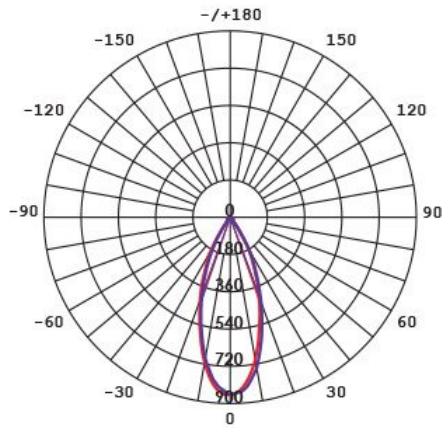




Photometric Data

Unit: cd C0/C180 _____ C90/C270 _____

S9067WW at 3000K



Product Images

