



## BUTTON SL7270 - 12W

12 watt, IP65 LED bunker luminaire

### Application

A decorative architectural solution for commercial exteriors

### Design Specifications

- Robust die-cast aluminium body
- Durable powder coated finish, white or black
- Opal polycarbonate diffuser
- High efficiency SMD LED chips
- Integral constant current non-dimmable LED driver



### Technical Specification

Model No.	Input Voltage (V/AC)	Power (W)	Lumens (lm)	CCT (K)	CRI	Dim (mm)
SL7270DL WH	240	12	800	5000	80	210(W) x 85(H)
SL7270DL BK	240	12	800	5000	80	210(W) x 85(H)

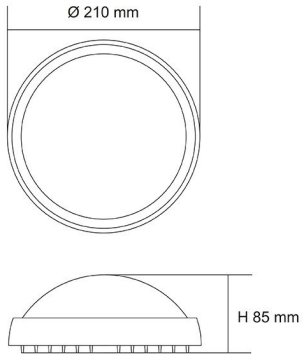
Model No.	Body Colour
SL7270DL WH	WHITE
SL7270DL BK	BLACK

Due to continued product and technology enhancements, data sourced from sal.net.au shall not form part of any contract and or technical performance guarantee unless expressly confirmed in writing by SAL at the time of order. Products are sold in accordance with [SAL Terms and Conditions of sale](#) and all images shown are for illustration purposes only and may vary from the actual colour or finish. Unless specifically stated, all IP ratings nominated for Interior products are from "below the ceiling".



## Dimensions

---





Why is the IP rating important? In brief, IP (Ingress Protection) ratings are defined in EN 60529 and simply defines the ability of an electrical product to seal and protect against the intrusion of foreign objects and water.

(I) As the first numeral stands for intrusion of a foreign object, where (P) as the second numeral stands for the penetration of moisture.

As a guide IP20 rated products would be seen in interior spaces with no requirement for protection against the elements, where an IP65 product would be found in an exterior application which required substantial protection against the elements.

*Need more information on IP ratings? Check out the SAL web FAQ's or speak to your local SAL team member.*

**For more  
information  
please  
scan me**

