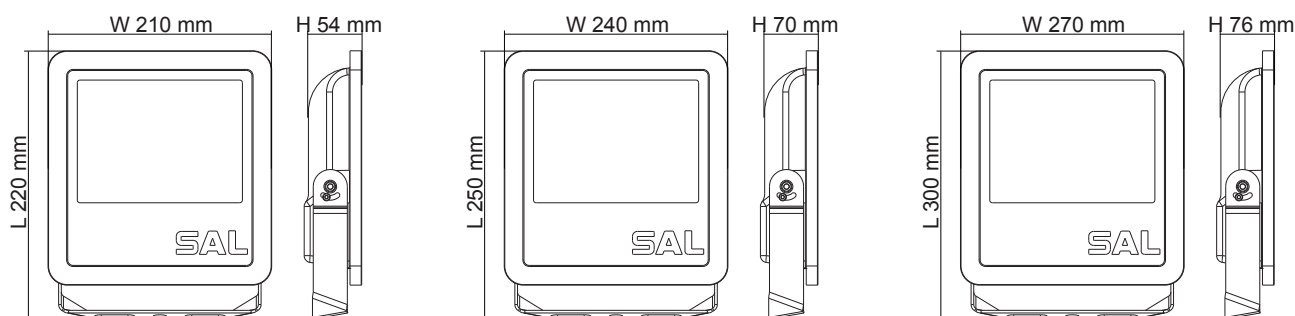


LED COMMERCIAL FLOOD LIGHT

SE7169 TRADE STAR 70/150W



DIMENSIONS



CONSTRUCTION

- Premium grade aluminium body
- Powder coated finish
- Textured tempered glass cover
- High efficiency SMD LED chips
- Built-in constant current non-dimmable LED driver
- Angled bracket for easy installation

IP RATING

- IP65 weatherproof

FITTING COLOUR

- Black

COLOUR TEMPERATURE

- 3000K Warm White
- 5000K Neutral Daylight

Model No.	Input	Power	Lumen	CCT	Beam Angle	CRI
SE7169/70WW/BK	240V	70W	8100lm	3000K	100°	>80
SE7169/70NDL/BK	240V	70W	8400lm	5000K	100°	>80
SE7169/100WW/BK	240V	100W	11500lm	3000K	100°	>80
SE7169/100NDL/BK	240V	100W	12000lm	5000K	100°	>80
SE7169/150WW/BK	240V	150W	17300lm	3000K	100°	>80
SE7169/150NDL/BK	240V	150W	18000lm	5000K	100°	>80

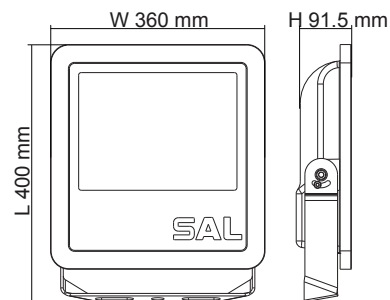
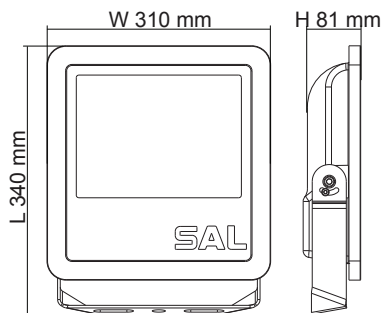


LED COMMERCIAL FLOOD LIGHT

SE7169 TRADE STAR 200/250W



DIMENSIONS



CONSTRUCTION

- Premium grade aluminium body
- Powder coated finish
- Textured tempered glass cover
- High efficiency SMD LED chips
- Built-in constant current non-dimmable LED driver
- Angled bracket for easy installation

IP RATING

- IP65 weatherproof

FITTING COLOUR

- Black

COLOUR TEMPERATURE

- 3000K Warm White
- 5000K Neutral Daylight

Model No.	Input	Power	Lumen	CCT	Beam Angle	CRI
SE7169/200WW/BK	240V	200W	23000lm	3000K	100°	>80
SE7169/200NDL/BK	240V	200W	24000lm	5000K	100°	>80
SE7169/250WW/BK	240V	250W	28800lm	3000K	100°	>80
SE7169/250NDL/BK	240V	250W	30000lm	5000K	100°	>80

