

LED POST LIGHT

SE7061 NEW FLINDERS POST

CONSTRUCTION

- Extruded aluminium body
- Powder coated finish
- Opal polycarbonate diffuser
- GX53 LED lamp included or built-in low voltage SMD LED chips (12V AC or DC driver required)

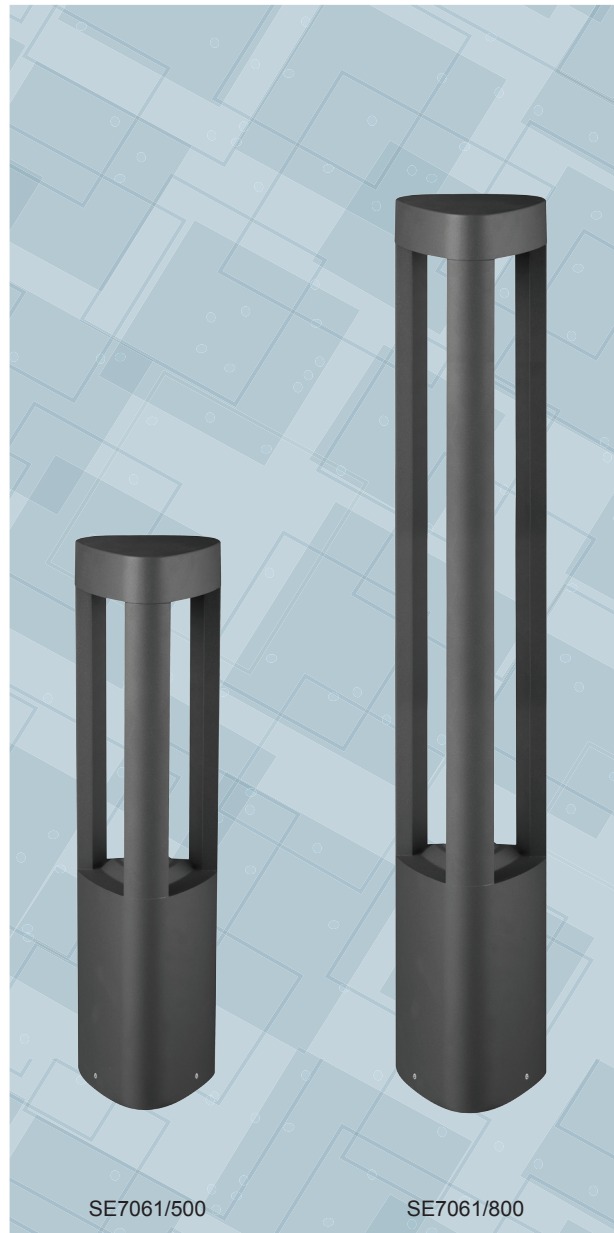
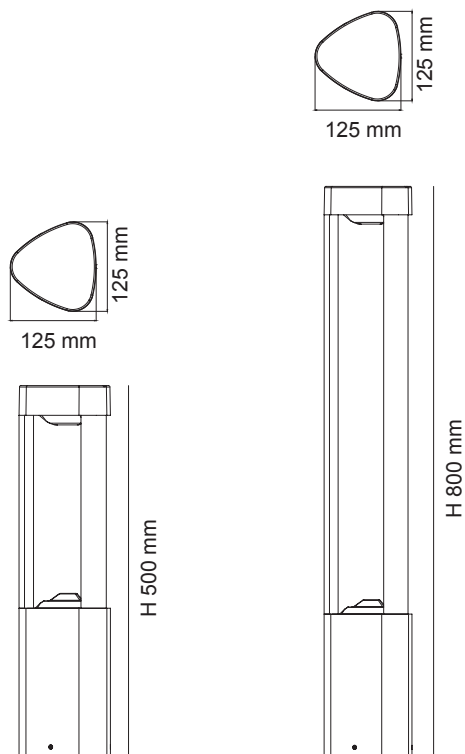
IP RATING

- IP54 weatherproof

DIMENSIONS

SE7061/500

SE7061/800



Model No.	Input	Power	Lumen	CCT	Lamp Base	Fitting Colour
SE7061/500 BK	240V	3W	450lm	6000K	GX53	Black
SE7061/500 LV BK	12V	6W	500lm	6000K	N/A	Black
SE7061/800 BK	240V	5W	450lm	6000K	GX53	Black
SE7061/800 LV BK	12V	6W	500lm	6000K	N/A	Black