

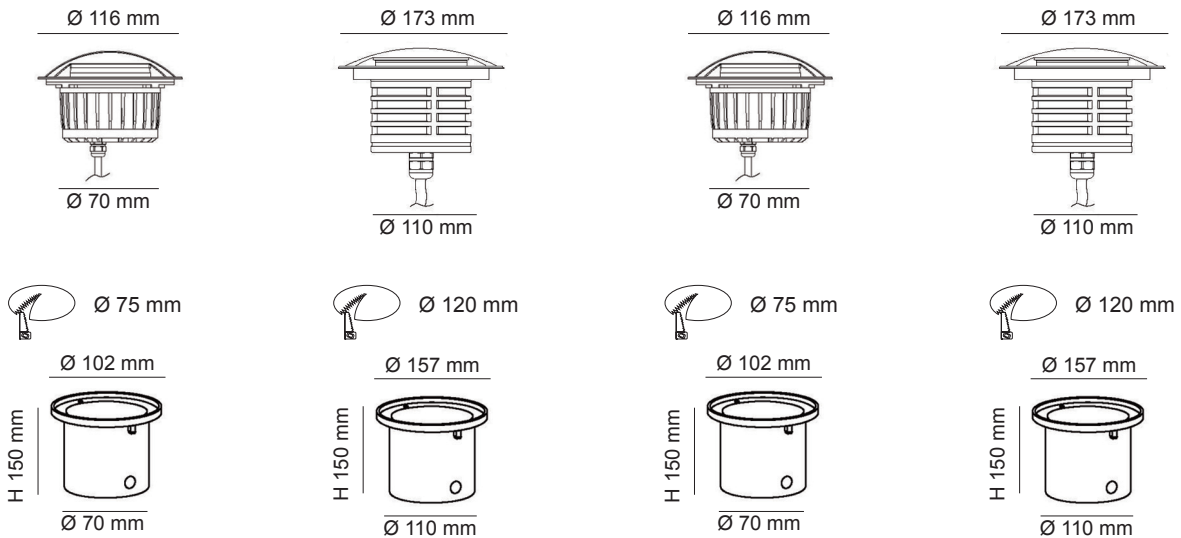
LED INGROUND LIGHT

FOUR WAY **S9346, S9347** PATHWAY

TWO WAY **S9348, S9349** PATHWAY



DIMENSIONS



CONSTRUCTION

- 316L stainless steel face cover
- Die-cast aluminium body
- Clear tempered glass diffuser
- High efficiency SMD LED chips with optical lens
- Built-in constant current non-dimmable LED driver
- Silicon gasket
- IP68 PG9 PVC cable gland
- Stainless steel allen screws
- PVC installation canister included
- 450 mm 3 core rubber flex

IP RATING

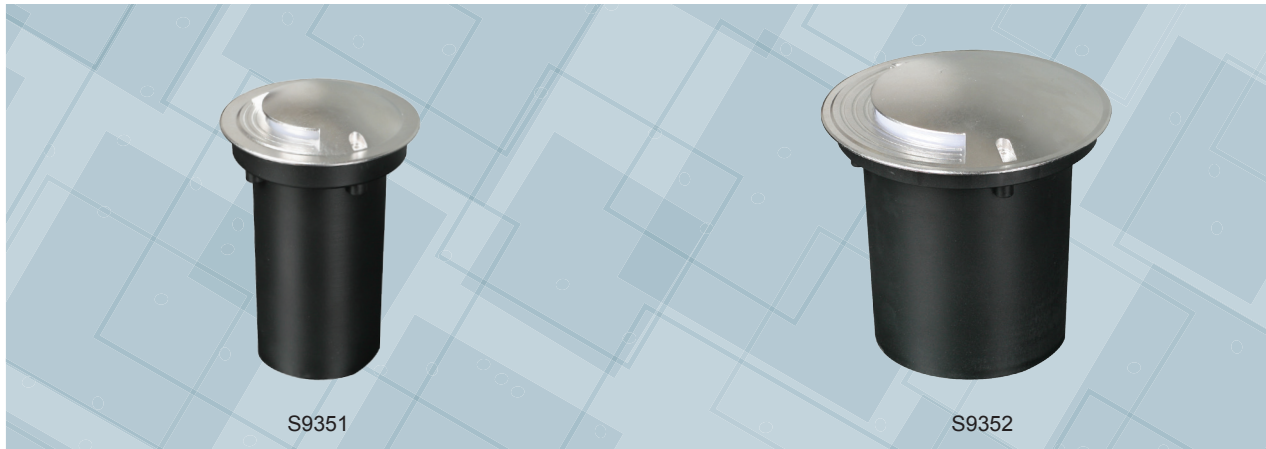
- IP67 weatherproof

LOAD PRESSURE CAPACITY

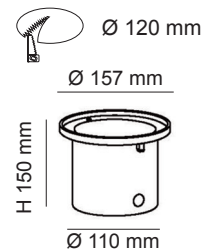
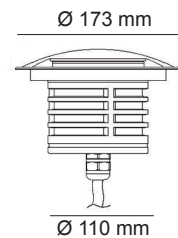
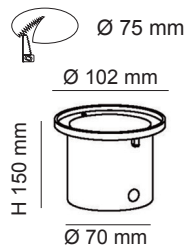
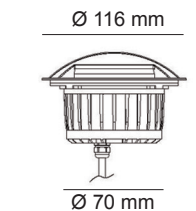
- Maximum 2000 kg

LED INGROUND LIGHT

ONE WAY S9351, S9352 PATHWAY



DIMENSIONS



Model No.	Input	Power	Lumen	CCT	CRI	Fitting Colour	Load Pressure Capacity
S9346WW	240V	4W	160lm	3000K	>80	Stainless Steel	2000 kg
S9346CW	240V	4W	160lm	4000K	>80	Stainless Steel	2000 kg
S9347WW	240V	4W	160lm	3000K	>80	Stainless Steel	2000 kg
S9347CW	240V	4W	160lm	4000K	>80	Stainless Steel	2000 kg

Model No.	Input	Power	Lumen	CCT	CRI	Fitting Colour	Load Pressure Capacity
S9348WW	240V	4W	80lm	3000K	>80	Stainless Steel	2000 kg
S9348CW	240V	4W	80lm	4000K	>80	Stainless Steel	2000 kg
S9349WW	240V	4W	80lm	3000K	>80	Stainless Steel	2000 kg
S9349CW	240V	4W	80lm	4000K	>80	Stainless Steel	2000 kg

Model No.	Input	Power	Lumen	CCT	CRI	Fitting Colour	Load Pressure Capacity
S9351WW	240V	4W	40lm	3000K	>80	Stainless Steel	2000 kg
S9351CW	240V	4W	40lm	4000K	>80	Stainless Steel	2000 kg
S9352WW	240V	4W	40lm	3000K	>80	Stainless Steel	2000 kg
S9352CW	240V	4W	40lm	4000K	>80	Stainless Steel	2000 kg