


DIMMABLE LED DOWNLIGHT

S9085TC ROBO



CONSTRUCTION

- **Multi termination options:** Supplied with a factory fitted 1.2m, 2 pin flex and plug with a quick access hard-wired 3.5mm diameter terminal block
- Select colour temperature with DIP switch
- Powder coated aluminium body
- Opal acrylic diffuser
- Double insulation 
- High efficiency SMD LED chips
- Built-in constant current trailing edge dimmable LED driver



IP RATING

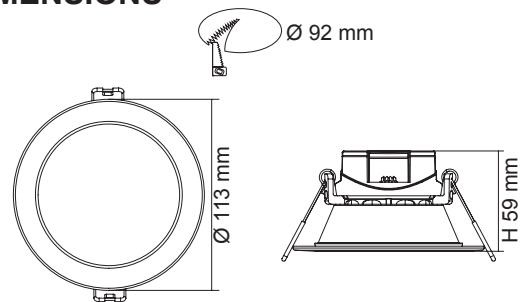
- IP44 weatherproof front only

FITTING COLOUR OPTION

- Satin Nickel (S9085SN/RING)



DIMENSIONS

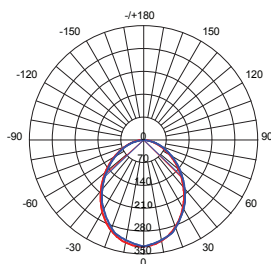


Model No.	Input	Power	Lumen	CCT	Beam Angle	CRI	Dimmable	Fitting Colour
S9085TC/WH	240V	9W	750lm/900lm/850lm	3000K/4000K/5700K	100°	>80	Yes*	White

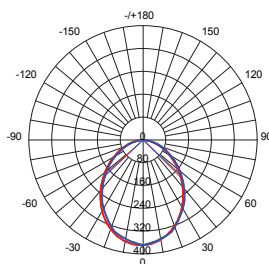
*Trailing edge dimming

PHOTOMETRIC DATA Unit: cd C0/C180 — C90/C270

S9085TC at 3000K



S9085TC at 4000K



S9085TC at 5700K

