

Assembly Instruction Sheet #IS-Q4574A For Style Q4574A

Quoizel, Inc.
 6 Corporate Parkway
 Goose Creek, SC
 29445

Customer Service
 Phone 631.273.2700
 Fax 631.231.7102
 www. quoizel. com

Tools Required: None

Bulb Recommended: (1) Medium Base 150W Maximum

Estimated Assembly Time: 15-20 minutes

Preparation: Identify and inspect all parts before beginning installation. Check package content list and diagrams below to be sure all parts are present. If any parts are missing or damaged, do not attempt to assemble, install, or operate the fixture. Contact customer service for replacement parts.

Warnings and Cautions

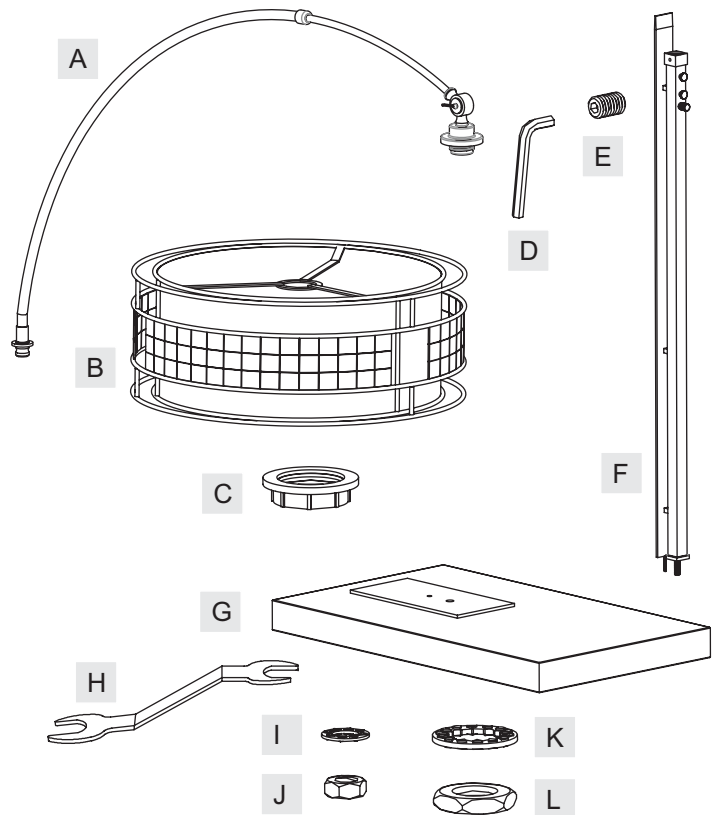
Turn off electricity at circuit breaker or main fuse box before installation. Consult a licensed electrician if in doubt.

These instructions are provided for your safety. It is very important you read them completely before installing the fixture. We strongly recommend that a licensed, professional electrician perform the installation.

Disconnect fixture from power source before replacing bulbs. Make sure bulbs are given sufficient time to cool before removal. Do not subject glass parts to any shock while in operation or shattering may result.

Package Contents

Part	Description	Quantity
A	Support Arm	1 pc.
B	Shade	1 pc.
C	Socket Collar	1 pc.
D	Allen Wrench	1 pc.
E	Socket Head Cup Screw	1 pc.
F	Support Rod	1 pc.
G	Base	1 pc.
H	Wrench	1 pc.
I	Small Lock Washer	1 pc.
J	Small Hex Nut	1 pc.
K	Big Lock Washer	1 pc.
L	Big Hex Nut	1 pc.



Thank you for purchasing a Quoizel product.

**Need assistance with parts or assembly? Call Quoizel customer service at 1-631-273-2700
 or visit us on-line at www. quoizel. com**

STEP 1 – Attach Support Rod to Base

- A. Place the Blots on the end of the Support Rod (F) through the holes on the Base (G). Secure by threading Small/Big Lock Washers (I/K) and Small/Big Hex Nuts (J/L) onto the Bolts. Hand tighten until snug with the Wrench (H).

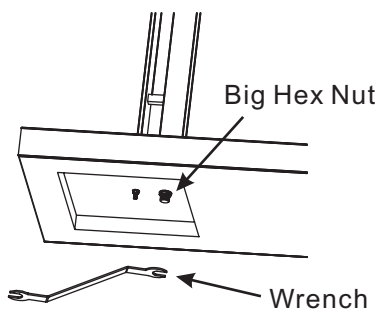


Figure 2

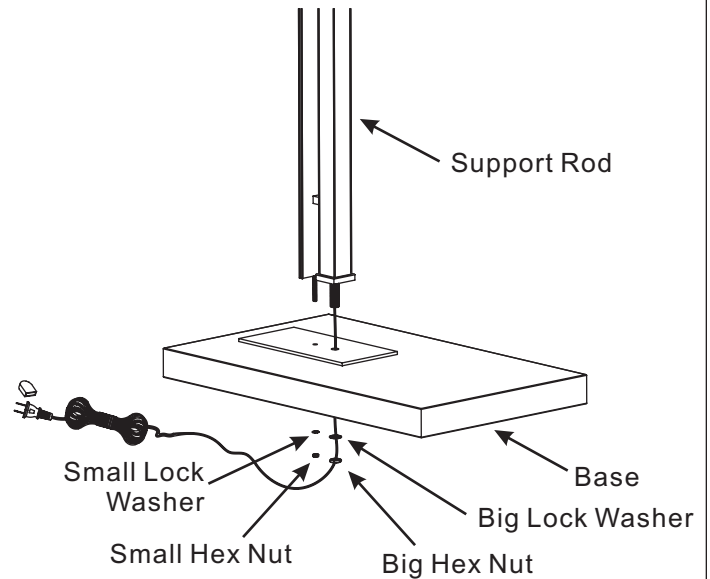


Figure 1

STEP 2 – Attach Support Arm to Support Rod

- A. Place the Neck of the Support Arm (A) into the top end of the Support Rod (F). By using the Allen Wrench (D), thread the Socket Head Cup Screw (E) into the mounting hole on the top end of the Support Rod (F), attach to the Neck of the Support Arm (A). Hand tighten until snug.

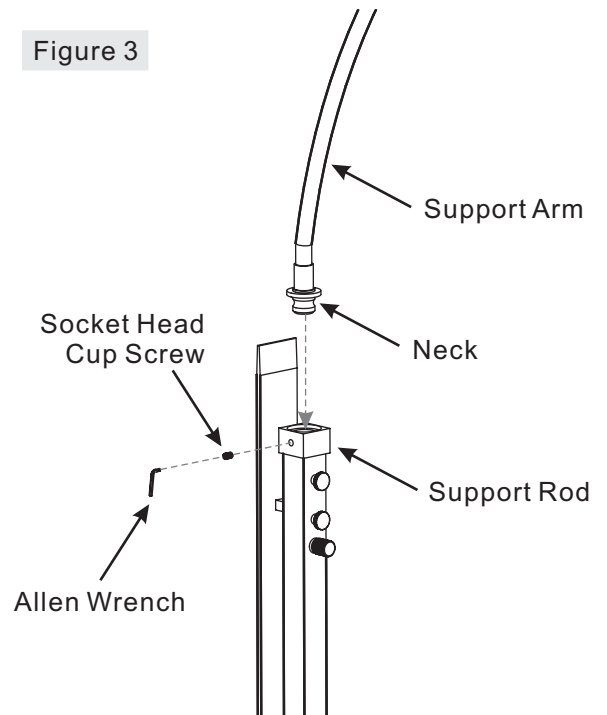


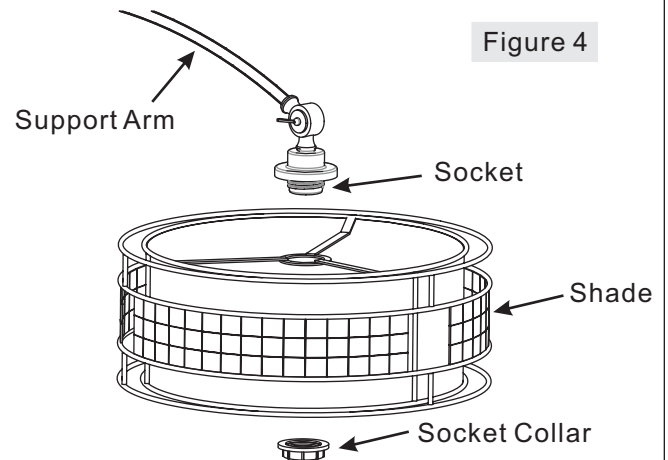
Figure 3

Thank you for purchasing a Quoizel product.

Need assistance with parts or assembly? Call Quoizel customer service at 1-631-273-2700
or visit us on-line at www. quozel. com

STEP 3 – Attach Shade

- A. Place the Shade (B) over the Socket on the end of the Support Arm (A). Secure by threading the Socket Collar (C) onto the Socket. Hand tighten until snug.



STEP 4 – Install Bulb

- A. This fixture uses standard bulbs with medium screw bases. Maximum 150 watts.
B. Insert bulb and screw snugly into place.

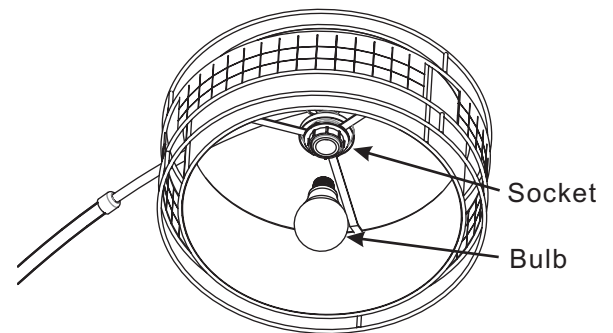


Figure 5

STEP 5 – Adjust the Shade

- A. Push in or pull out the Small Support Arm by adjusting the Knurled Nut.
B. Adjust the Shade's direction by using the Adjustment Button.

Your lamp is now assembled and ready to use. Enjoy!

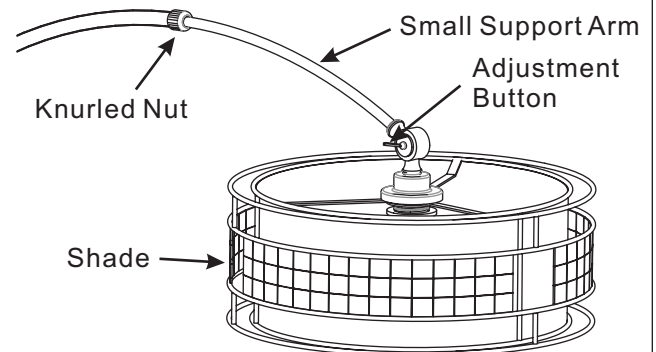


Figure 6

Thank you for purchasing a Quoizel product.
Need assistance with parts or assembly? Call Quoizel customer service at 1-631-273-2700
or visit us on-line at www. quozel. com