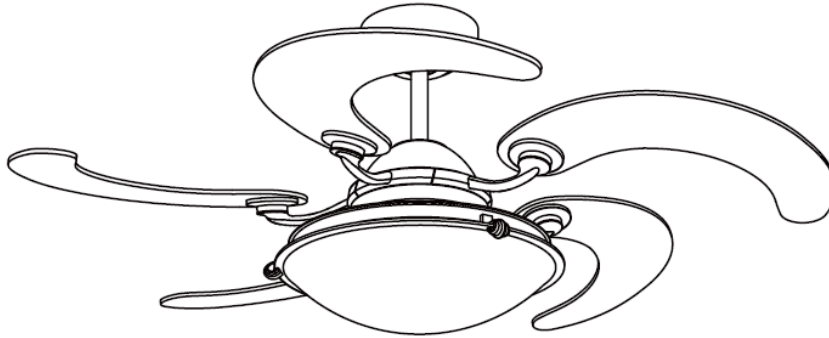



PRODUCT SPECIFICATIONS

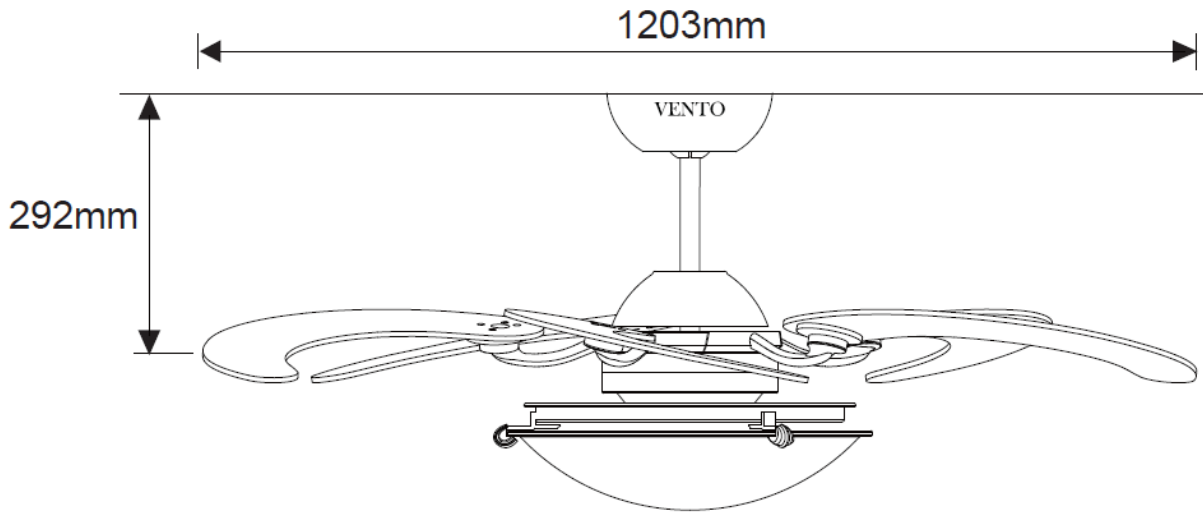


SOLE
Model VF07212BN
series
46" CEILING FAN

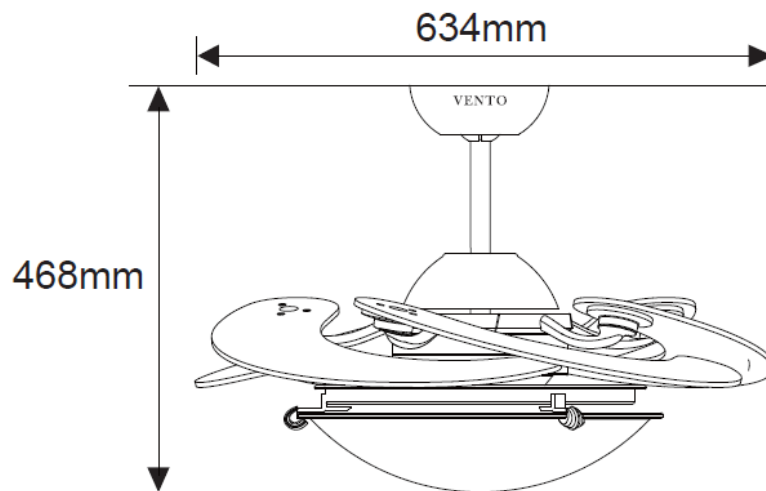
Diameter of fan (spread blades)	Φ 1203 mm (46")		
Diameter of fan (folded/retracted blades)	Φ 634 mm		
Height from lamp to ceiling	468 mm		
Height from blades to ceiling	292 mm		
Motor housing external finish / colour	Brushed Nickel (Electro Plated)		
Motor size	Φ 188 x 15 mm (Silicon Steel) (16 Poles)		
Motor Speed	LOW	MEDIUM	HIGH
Motor Wattage	15W	43W	97W
RPM	86	137	210
Air Movement (Feet³ per Minute) CFM	1,917	3158	5894
Air Movement (Meters³ per Hour) CMH	3,257	5,365	10,014
Blade material	Plywood		
No. of blades	5		
Blade pitch	15°		
No. of speeds	3 speeds (High, Medium, Low) and OFF		
Speed controller type	Capacitive wall speed controller (supplied)		
Electronic speed controller compatibility	Not compatible		
Remote controller compatibility	Compatible (Isolation switch required)		
Down-rod	Length : 200 mm, Diameter : Φ 21mm		
Fan hanger ball	Zinc Alloy		
Extra wire length for electrical connection	483 mm (19")		
Light kit	MAX3x14W E14 CFL only (globe not supplied)		
Diffuser material	White glass (sand blasted or painted)		
Package dimension	552 x 502 x 276mm		
Net weight	14.7 kg		
Gross weight	16.2 kg		
SAA Certification Number	A/12807EA		
C-Tick Number	 N15328		



DIMENSIONS



Ceiling fan in operation



Ceiling fan in stationary state