

## INSTALLATION INSTRUCTIONS

**Product Name:** Tivoli  
**Model:** MX10120/SEN, MX10130/SEN, MX10150/SEN  
**Description:** LED Flood Light with PIR sensor, Non Dimmable

**Max Wattage:** 20W, 30W, 50W (220-240VAC, 50Hz)  
**Lumen Output:** 1700lm(20W), 2550lm(30W), 4,250lm(50W)

**\*\* Turn off main supply before installation \*\***

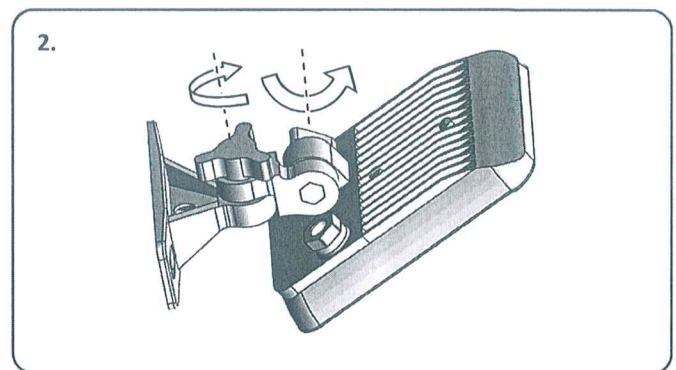
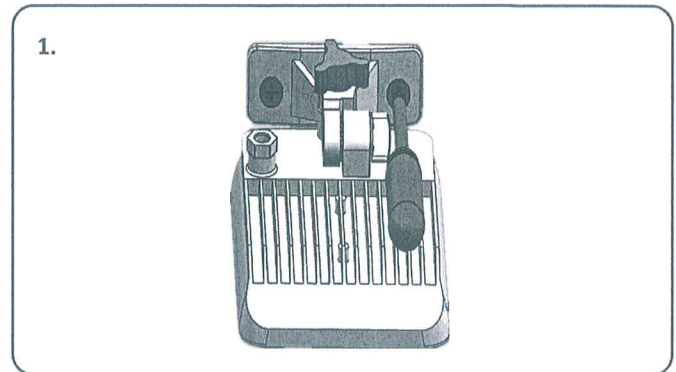
1. Mount the bracket by two screws on flat surface.
2. Tighten hand screws to secure fitting orientation.
3. Plug in fitting

### PIR sensor specification

**Field of detection:** up to 5-6M (coverage angle 120°)

**Time setting:** 10S / 1MIN / 5MIN (by remote)

**Twilight switch:** 20—50Lux / 100-2000lux (by remote)



**WARNING: FIRE RISK EXISTS IF THE LAMP IS COVERED BY OR POSITIONED CLOSE TO CURTAINS OR OTHER COMBUSTIBLE MATERIALS.**

- This lamp **MUST** be installed by a qualified electrical contractor **ONLY**
- **Warning:** Before obtaining access to terminals, all supply circuits must be disconnected
- This appliance is not intended for use by person (including children) with reduced physical, sensory or mental capabilities, or lack of experience and knowledge, unless they have been given supervision or instruction concerning use of the appliance by a person responsible for their safety.
- Children should be supervised to ensure that they do not play with the appliance.
- The bulb, lamp holder or shade may get hot when the lamp is operating, do not touch them to avoid a hazard.
- To prevent damage to the appliance do not use alkaline cleaning agents when cleaning. Use a soft cloth and a mild detergent. Always switch off before cleaning.
- Failure to maintain the lamp in a clean condition could lead to deterioration of the surface that could adversely affect the life of the appliance and possibly result in a hazardous situation



PLEASE RECYCLE ALL PACKAGING MATERIAL SUPPLIED WITH THIS PRODUCT

## REMOTE / SENSOR INSTRUCTIONS



To adjust sensor settings, the remote must point to the flood light sensor location.

On first power on, please wait 10 seconds for the unit to start its normal operation.

### Adjusting Duration Time:

The length of time the unit remains switched on after no movement is detected can be set by pressing **10S** (10sec)/ **1min** / **5min** buttons on the remote.

### Adjusting Day / Night Mode:

The flood light has a build-in light sensor to detect daylight and darkness. The  button will put the flood light to do motion sensing during day or night time. The  button will limit motion sensing to night time only (surrounding light level below 20 - 30LUX).

### ON (with 2hrs timeout) / OFF:

The  ON/OFF button manually turns the flood light On and Off.

**On**—Light ON for 2hrs before returning back to motion sensing operation. Pressing any sensor setting buttons (**10S/1min/5min** or **Day/Night**) during its ON time will also put the unit back to motion sensing operation.

**Off**—Unit will shutdown from any operation.

