

# Pulse



## Pulse Down Only 3000K

The new Martec Pulse Down only outdoor accent light incorporates modern architectural design features with simplistic looks to bring households an unobtrusive exterior light perfect for any application. The Pulse Down only outdoor light is IP65 rated, which means it can survive the harshest environments, and with its COB LED lighting will highlight all the best aspects of your household's exteriors.



MLXP301DM



MLXP301DB



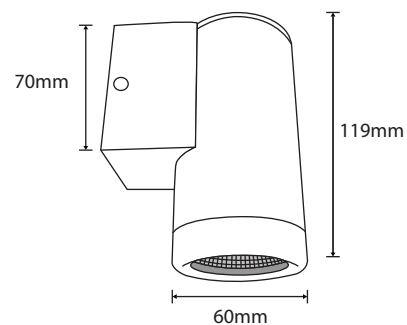
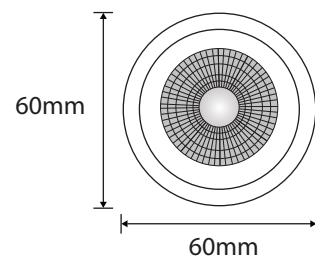
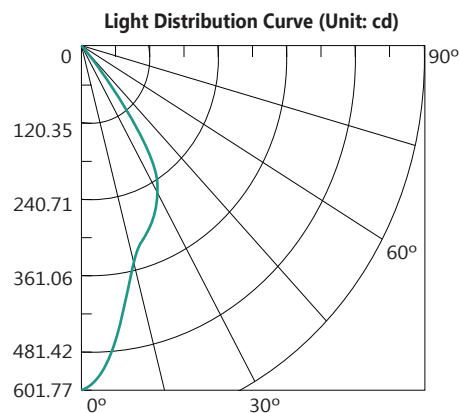
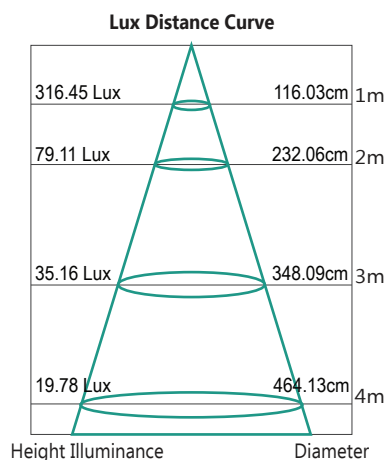
### FEATURES

- /// 3 Year replacement warranty
- /// Durable anodised aluminium or matt black finish
- /// Aluminium body acts as heat sink
- /// Advanced COB LED chip
- /// Modern, architectural outdoor landscape lighting
- /// Sleek design seamlessly integrates into house exterior
- /// Long life energy saving LED
- /// IP65 rating for the harshest outdoor environments

### TECHNICAL INFORMATION

**Power:** 8W  
**CCT:** 3000K (Warm White)  
**Lumens:** 470 lm  
**Beam Angle:** 60°  
**Size:** 119mm x 60mm  
**CRI:** ≥80

### DIAGRAMS



# Pulse



## Pulse Down Only 5000K

The new Martec Pulse Down only outdoor accent light incorporates modern architectural design features with simplistic looks to bring households an unobtrusive exterior light perfect for any application. The Pulse Down only outdoor light is IP65 rated, which means it can survive the harshest environments, and with its COB LED lighting will highlight all the best aspects of your household's exteriors.



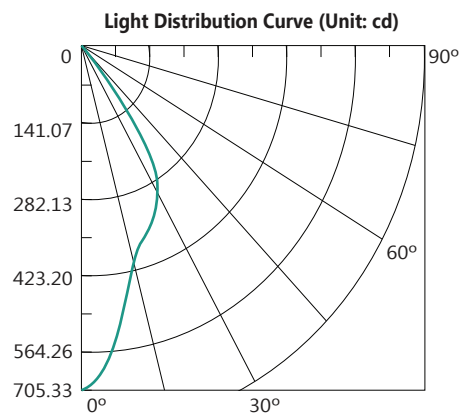
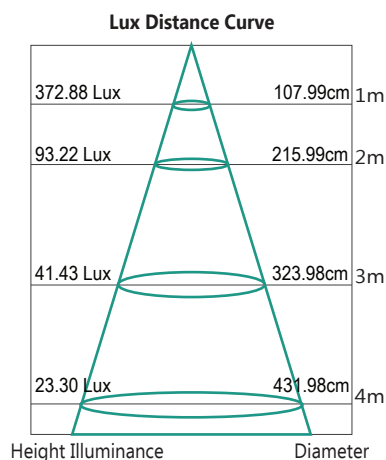
### FEATURES

- /// 3 Year replacement warranty
- /// Durable anodised aluminium or matt black finish
- /// Aluminium body acts as heat sink
- /// Advanced COB LED chip
- /// Modern, architectural outdoor landscape lighting
- /// Sleek design seamlessly integrates into house exterior
- /// Long life energy saving LED
- /// IP65 rating for the harshest outdoor environments

### TECHNICAL INFORMATION

**Power:** 8W  
**CCT:** 5000K (Cool White)  
**Lumens:** 510 lm  
**Beam Angle:** 60°  
**Size:** 119mm x 60mm  
**CRI:** ≥80

### DIAGRAMS



MLXP501DB



MLXP501DM

