

Pulse Double Adjustable 3000K

The new Martec Pulse Double Adjustable outdoor accent light incorporates modern architectural design features with simplistic looks to bring households an unobtrusive exterior light perfect for any application. The Pulse Double Adjustable outdoor light is IP65 rated, which means it can survive the harshest environments, and with its COB LED lighting will highlight all the best aspects of your household's exteriors.



FEATURES

- /// 3 Year replacement warranty
- /// Durable anodised aluminium or matt black finish
- /// Aluminium frame acts as heat sink
- /// Durable anti-rust, brass swivel
- /// Modern, architectural outdoor landscape lighting
- /// Sleek design seamlessly integrates into house exterior
- /// Long life energy saving LED
- /// 360 degree range of movements
- /// Wall or ceiling mounted

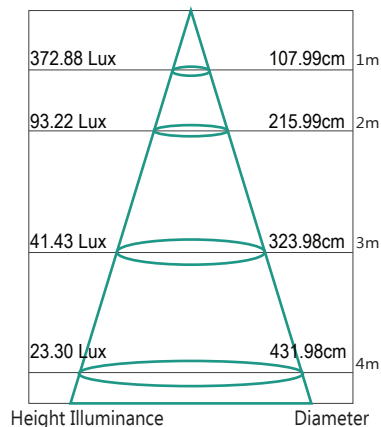
TECHNICAL INFORMATION

Power: 16W (2 x 8W)
CCT: 3000K (Warm White)
Lumens: 910lm
Beam Angle: 60°
Size: 155mm x 84mm

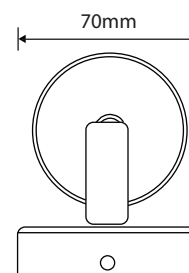
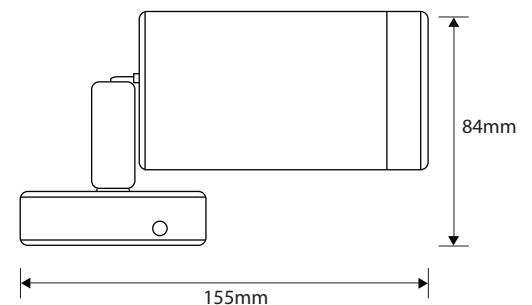
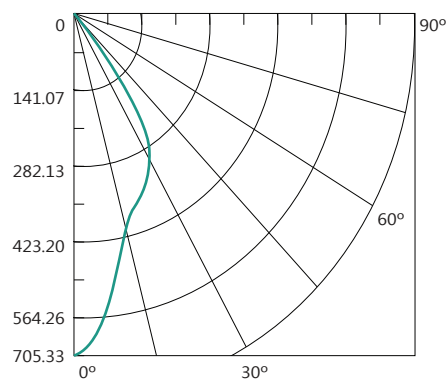


DIAGRAMS

Lux Distance Curve



Light Distribution Curve (Unit: cd)



Pulse Double Adjustable 5000K

The new Martec Pulse Double Adjustable outdoor accent light incorporates modern architectural design features with simplistic looks to bring households an unobtrusive exterior light perfect for any application. The Pulse Double Adjustable outdoor light is IP65 rated, which means it can survive the harshest environments, and with its COB LED lighting will highlight all the best aspects of your household's exteriors.



FEATURES

- /// 3 Year replacement warranty
- /// Durable anodised aluminium or matt black finish
- /// Aluminium frame acts as heat sink
- /// Durable anti-rust, brass swivel
- /// Modern, architectural outdoor landscape lighting
- /// Sleek design seamlessly integrates into house exterior
- /// Long life energy saving LED
- /// 360 degree range of movements
- /// Wall or ceiling mounted

TECHNICAL INFORMATION

Power: 16W (2 x 8W)
CCT: 5000K (Cool White)
Lumens: 1010lm
Beam Angle: 60°
Size: 155mm x 84mm

DIAGRAMS

