

# Oasis



## Oasis

The Oasis epitomises the beauty of a traditional Balinese palm leaf fan, perfect for any household that wants to spruce up their relax room. With four palm leaf shaped blades, the Oasis has excellent airflow and a tropical design intended for enclosed patios or any room which needs a relaxing feel.



MOF134OB

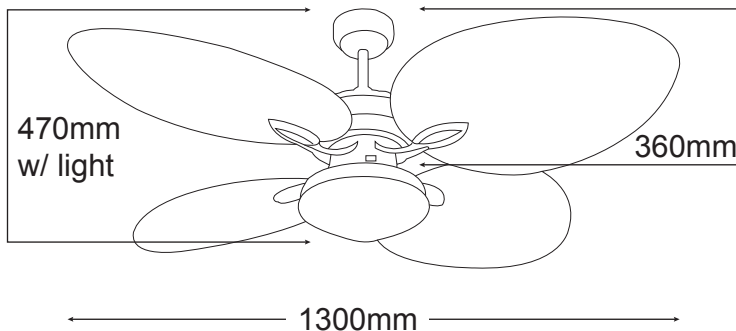


MOF134OB (w/ MOLKOB)

### FEATURES

- /// Full 3 year In Home warranty
- /// High quality Old Bronze finish
- /// 1300mm palm leaf blades
- /// Fully reversible for summer & winter
- /// 3 speed wall control with light switch included
- /// Remote control adaptable
- /// Light adaptable (Light kit MOLKOB)

### DIAGRAMS



|         | FORWARD/REVERSE |        |       | WALL CONTROL                | LUMINOUS FLUX | MAX AIR FLOW |
|---------|-----------------|--------|-------|-----------------------------|---------------|--------------|
|         | High            | Medium | Low   |                             |               |              |
| RPM     | 166             | 113    | 80    | 3 Speed<br>2 + 3 5µF / 300V | N/A           | TBA          |
| CURRENT | 0.26A           | 0.18A  | 0.12A |                             |               |              |
| POWER   | 63W             | 29W    | 15W   |                             |               |              |