

# Linear LED

**MARTEC**

## Linear

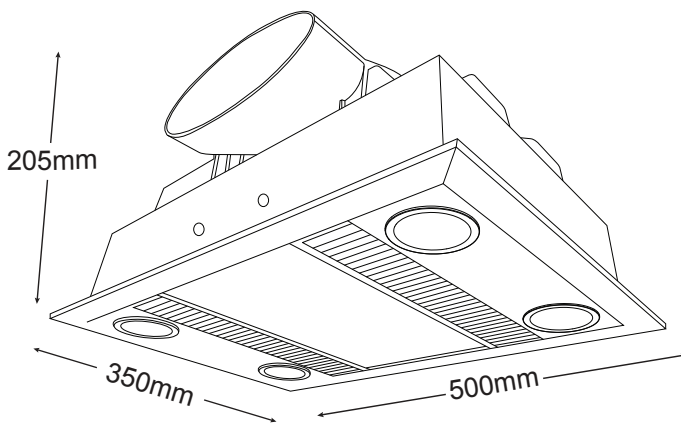
A high extraction 3 in 1 bathroom heater and exhaust fan the Martec Linear incorporates a sleek modern design with the latest LED lighting technology. Featuring instant halogen heat and 2520 lumens from the advanced energy efficient COB LED lamp fittings. Available in both silver and white finishes.



### FEATURES

- /// 3 year In Home warranty
- /// Excellent airflow 600m<sup>3</sup> / h
- /// Long life ball bearing motor
- /// Quiet operation
- /// Turbo fan blade
- /// Duct outlet (150mm diameter)
- /// Efficient 1000w halogen heat lamp included
- /// 4x 9w COB GU10 LED lamps included (MBGU3060)
- /// 1x 3-gang switch included
- /// Draft stopper, side ducting, and grill included
- /// Remote control adaptable

### DIAGRAM



MBHL1000W



MBHL1000S

1 x 1000w Halogen Heat Lamp

4 x 9w COB GU10 LED Lamps

CUT OUT SIZE 450 x 300mm

GRILL SIZE 500 x 350mm

LUMEN 2520

Minimum ceiling depth of 210mm is required



Quality  
ISO 9001  
SAI GLOBAL