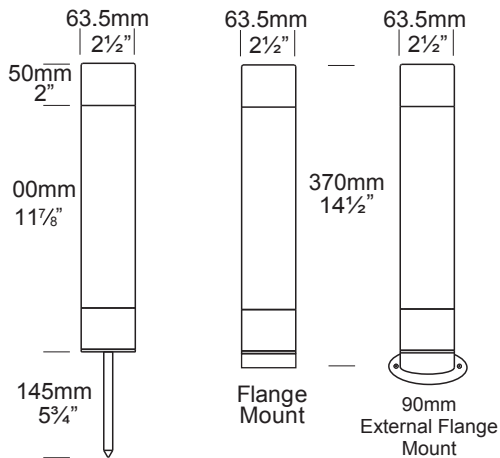


Bollard 300 PURE LED

Cat. NO BOL300/L



PURE LED
Pure Performance

The Bollard 300 Pure LED is ideal for garden edges. The acrylic lens reflects light at two angles through an anti-glare mesh directly onto the ground and horizontally to illuminate the surrounding landscape.

Constructed to tubular aluminum with a UV stable powder coated or machined from solid copper or 316 stainless steel.

The Hunza PURE LED system uses Cree MTG-2 chips for maximum performance and long life. Power supply options to include a choice of 12 volt integral or a remote (series connection) driver. The PURE LED system incorporates HUNZA's Plug-and-Play system for easy replacement of either the LED engine or integral driver in the field. A choice of warm or Cool white colour temperature are available.

- * At 700mA this fitting is the equivalent of a 35w halogen fitting.
- * At 1050mA this fitting is the equivalent of a 50w halogen fitting.

Ordering Information

Luminaire

BOL300/L

Driver mA

S - Series Wiring
D7 - 12v 700mA
D10 - 12v 1050mA

Colour Temp

3 - 3000K
4 - 4000K

Accessories

BOLOP - Opaque Lens
CJK150 - Cable Joint Kit
FM - Flange Mount
FM90 - External 90mm
Flange Mount

Material/Finish

BK - Black
BZ - Bronze
GN - Green
STAR - Silver Star
WH - White
WB - Birch
DG - Dark Grey
OG - Olive Green
RG - Beige
PR - Primrose
COP - Copper
SS - 316 Stainless

Ordering Example: BOL300/L D10 3 BOLOP BK

HUNZA™ PURE
OUTDOOR
LIGHTING

HUNZA FACTORY
130 Felton Mathew Ave
Saint Johns
Auckland 1072
New Zealand

Ph: 64-9-528 9471
Fax: 64-9-528 9361
hunza@hunza.co.nz
www.hunza.co.nz

INTERNATIONAL CONTACTS:
www.hunza.co.nz/contacts.php

Specifications may change without notice.
Manufactured in New Zealand.
© 2014 Hunza Holdings Ltd.

Luminaire Construction

CNC machined from one of the following metals:

High corrosion resistant 63.5mm (2½") x 10mm (25/64") aluminium. End cap - solid aluminium 63.5 (2½") rod, pole - 63.5mm (2½") x 3.25mm (1/8") x 240mm (9½") chromate substrate and high UV resistant polyester powder coat. **Colours** Black, Bronze, Green, Silver Star, White, Birch, Dark Grey, Olive Green, Beige, Primrose.

Copper 63.5mm (2½") x 10mm (13/32"). End cap - Solid copper 63.5mm (2½") rod pole - 63.5mm (2½") x 3.25mm (1/8") x 240mm (9½")

316 Stainless steel 63.5mm (2½") x 9mm (11/32"). End cap - solid 316 stainless steel 63.5mm (2½") rod pole - 63.5mm x 3.25mm (1/8") x 240mm (9½").

Luminaire Weight

Alum .870kg (1lb 14oz)
Cop 2.290kg (5lb)
SS 2.170 kg (4lb 12 oz)

Features

Lens

UV Stable polycarbonate lens with anti-glare mesh and dual angle reflector projects light horizontally and at 45° onto the ground.

Gaskets

Silicone, iron impregnated 220°C (428°F)

Accessories

Cable Joint Kit (Cat. CJK150)
Opaque Lens (Cat.LENSBOLOP)
Flange Mount (Cat. FM)
External 90mm Flange Mount (Cat. FM90)

Mounting

Set in concret in the ground or specify with flange mount option, which bolts to concrete, tiling or wooden decks.

Technical Information

Standards

AS/NZS 61046
IP56/IP66 UL 1838

LED

Cree MTG-2 Plug and Play, field replaceable LED board.

Lumen Output: 510 at 1050mA
Lumens Per watt: 85 at 6watt
CRI Warm White (3000k): 85+
Colour Temp: 3,000 and 4,000K

Power Supply

Series (External) Driver

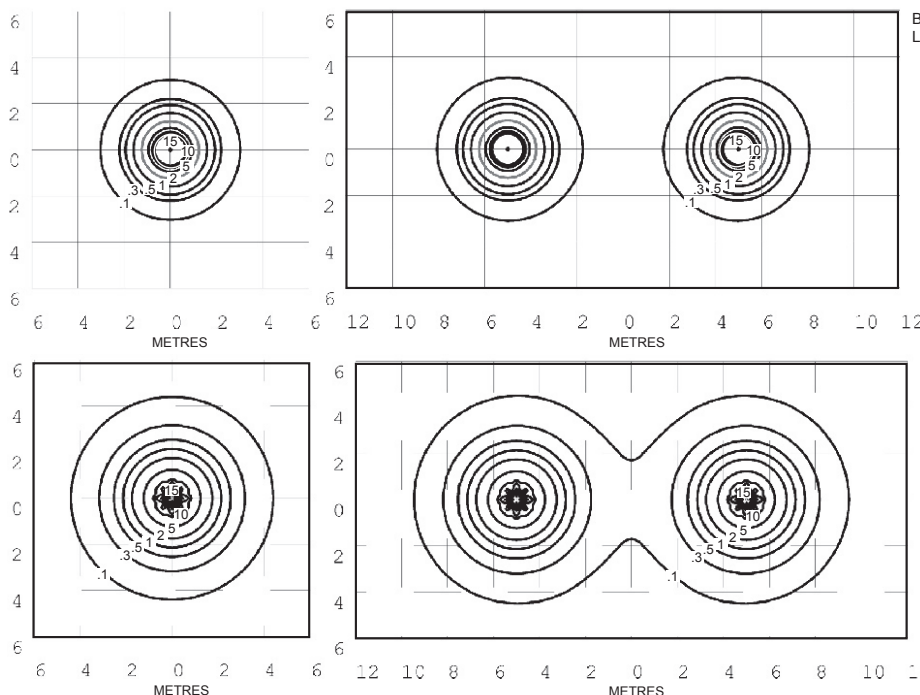
Constant current driver
Output: 6vdc at 1050mA maximum

Integral 12 Volt Driver

Hunza™ Plug and Play Driver
Input: 12vac, 7 watt total
Output: 6vdc nominal, 350 / 700 / 1050mA

Transformer

Hunza™ Wall Mount Transformer for use with integral 12 volt driver



Bollard 300 Driven at 700mA
Lens height 300mm (12")

Bollard 300 Driven at 1050mA
Lens height 300mm (12")

Isolux Lumens Plot -
Footcandles =
Isolux figures divided by 10.76

HUNZA™ PURE OUTDOOR LIGHTING

HUNZA FACTORY
130 Felton Mathew Ave
Saint Johns
Auckland 1072
New Zealand

Ph: 64-9-528 9471
Fax: 64-9-528 9361
hunza@hunza.co.nz
www.hunza.co.nz

INTERNATIONAL CONTACTS:
www.hunza.co.nz/contacts.php

Specifications may change without notice.
Manufactured in New Zealand.
© 2014 Hunza Holdings Ltd.