

# ICON 54" CEILING FAN



Brushed Aluminium



Polished Aluminium with blue sail

## Installation Locations:

Indoor and outdoor (provided the fan is fully undercover)

## Recommended Height:

There should be at least 2.1m between the lowest point of the fan blades and the floor.

## Top of canopy cover to lowest point of the fan without light fittings attached:

Approximately 300mm

## Motor:

16 Pole, 172mm x 14mm motor  
Made with the highest grade copper windings and silicone steel stator. Bearings are sealed to ensure quiet operation and long life.

## Motor Housing:

Materials: Die Cast Aluminium

## Available Colours :

White, White Birch, Matt Black, Polished Aluminium & Brushed Aluminium

## Blades: Blade Pitch: 12°

Sizes: 1370mm (54") timber or 1650mm (65") Sail  
Materials: NZ plywood, Painted finish  
Materials: Sail Blades ~ Cotton Fabric (Aluminium Frame)

## Available Blade Colours:

White, White Birch, Black, Brushed Aluminium & Polished Aluminium

**Available Sail Blade Colours:** White, Natural, Blue, Black & Red

## Extra Information:

Introduced into the HPI range in 2003  
Winner of an Australian Design Mark  
Light Adaptable  
Reversible

## Standard Canopy Cover:

Suitable for flat and pitched ceilings up to 28°

## Wall Controller Speed Capacitor Values:

3µF & 2µF

## Rotational Diameter:

1370mm (54") or 1650mm (65") Blade Sweep

## Ceiling to top side of the blade:

Approximately 222mm

## Weight Including Packaging:

Complete fan: 10.5kg

Light Fitting: 1.10kg

## Packaging Dimensions (cm):

Complete Fan: 63L x 35W x 38H

## Accessories:

Remote Control

Extension Down Rod 26mm diameter

45° Ceiling Kit (for pitched ceilings)

T-Hook for ceiling roses

Universal Mounting Brace

## Warranty

2 years "in home" covering major defects

3 Years additional covering motor only (not labour)

Remotes -1 year "in home" covering major defects. (receiver and handpiece)

Lights -1 year "in home" covering major defects

## Airflow and Efficiency:

Airflow measured in Australia using the "Energy Star Solid-State Test Method", the only test method recognised for USA Energy Star compliance.

	HIGH	MED	LOW
<b>RPMS</b>	<b>198</b>	<b>128</b>	<b>92</b>
<b>WATTS</b>	<b>70.6</b>	<b>30</b>	<b>18.6</b>
<b>AIRFLOW<sup>^</sup>: AUS-ES / USA-ES</b>	<b>9624 / 12992</b>	<b>6246 / 8432</b>	<b>4201 / 5671</b>
<b>EFFICIENCY<sup>^</sup>: AUS-ES / USA-ES</b>	<b>136.32 / 184.03</b>	<b>208.20 / 281.07</b>	<b>247.12 / 333.61</b>

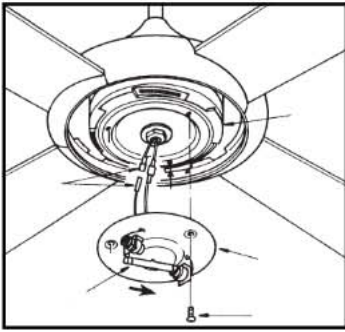
<sup>^</sup> Airflow measured in Cubic metres/ Hour (CM/HR), Efficiency measured in CM/HR per watt (CMH/W)

# For full warranty details please see Hunter Pacific International's website [www.hunterpacific.com.au](http://www.hunterpacific.com.au)

# ICON 54" CEILING FAN LIGHTING



## 78mm Halogen Light (MAX 100W)



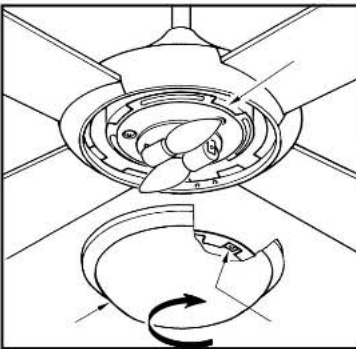
- Cost effective
- Colour—warm white
- Dimmable
- Compact in size



78mm linear Halogen Light globe



## E14 Light ( MAX 2x40W)



- Accepts a variety of lamps, e.g. incandescent, fluorescent.
- Cost effective
- Compatible with some CFL lamps



### **Colours Available:**

available in motor colours ~ White, White Birch, Matt Black, Polished Aluminium and Brushed Aluminium Black Ice & Silver Ice

### **Packaging Dimensions**

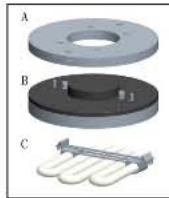
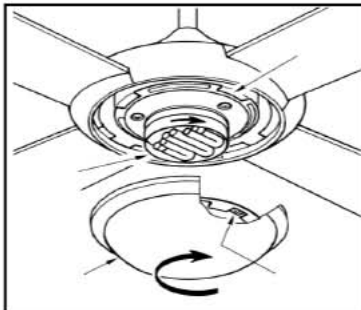
25L x 25W x 10H

Weight: 1kgs

240mm diameter

80mm depth (glass & rim)

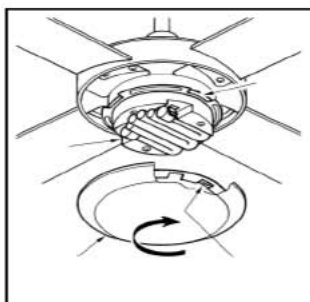
## GX53M 14W Compact Fluorescent Light



A Base  
B Lamp Assembly  
C Tube

- Low wattage
- High light output
- Liquid mercury free
- Colour—Warm white/Cool white colour temperatures available
- Low heat
- 12000 hour life span
- 2700k or 3000k

## Flat 6, 26W Fluorescent Lamp



- High Efficiency (EEI=A2)
- High light output
- Liquid mercury free
- Low heat
- Fewer shadows visible
- Dimmable on certain fan models; eCO<sup>2</sup> & Ice Range (with Model 089 FLDR)
- 4100k

^ All light kits must be installed by a licensed electrician. For further information about correct installation procedures, please see [www.hunterpacific.com.au](http://www.hunterpacific.com.au)

# For full warranty details please see Hunter Pacific International's website [www.hunterpacific.com.au](http://www.hunterpacific.com.au)