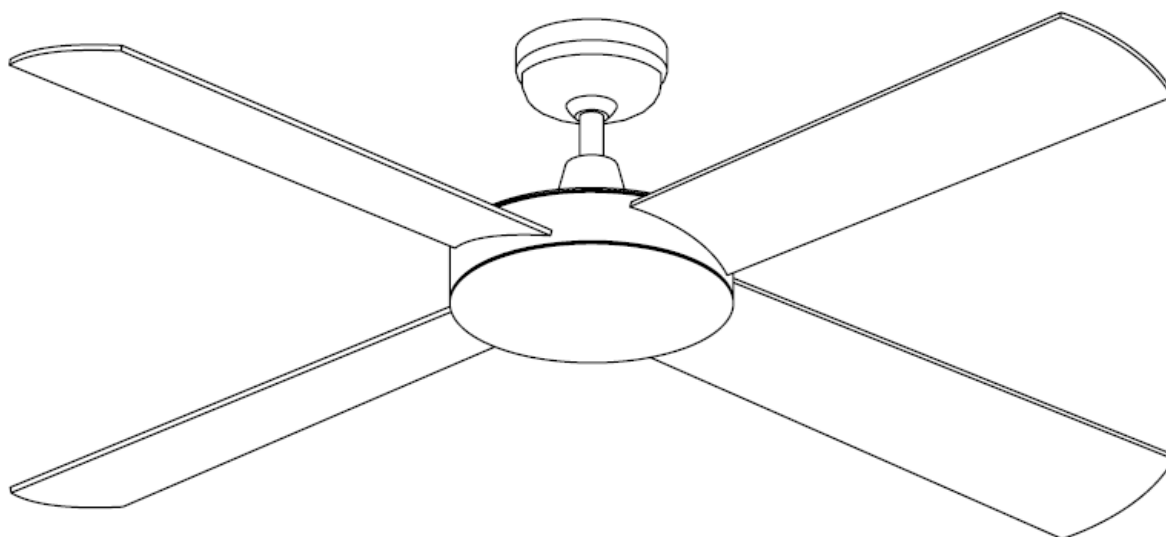


INTERCEPT™ **CEILING FAN**

Installation Manual



CEILING FAN MUST BE INSTALLED BY A LICENSED ELECTRICIAN

(NO OTHER PERSONS SHOULD ATTEMPT TO INSTALL THIS FAN)

*After installation, electricians must tick off all items on the quick checklist and fill out their details towards the back of this Installation Manual

**ELECTRICIANS - TO PROTECT YOUR CUSTOMER'S WARRANTY, PLEASE READ
PAGE 2 OF THIS BOOKLET PRIOR TO THE INSTALLATION OF THIS PRODUCT.**

National Warranty Line

1300 360 280

Monday to Friday from 9am to 5pm EST
Only available within Australia

IMPORTANT INFORMATION **ELECTRICIANS MUST READ PRIOR TO INSTALLATION**

1. Distributor and installer details and purchase receipts are essential for on-site warranty claims and must be presented to repair personnel. A page towards the back of this manual has been allocated to allow you to record these details.
2. Fans and fixed wiring products must only be installed by persons who are appropriately licensed by the applicable State regulatory body. Therefore, to protect our repair personnel, on-site warranty claims will not be accepted if products have been installed by unlicensed persons.
3. Damage caused by incorrect installation, force-majeure, electrical surges, lightning, power grid fluctuations, water or by connection to alternative power supply sources (such as solar inverters, etc.) is not eligible for warranty repair.
4. Blades must be replaced only as a complete set. Blades are supplied only as a pre-balanced set and the replacement of individual blades may void the warranty by causing mechanical damage to the motor, excessive noise or premature wear.
5. When products are installed in a location requiring special access equipment (such as scaffolding or scissor lifts, etc) the cost of providing, installing and operating special access equipment must be borne by the site owner.
6. "This appliance is not intended for use by persons (including children) with reduced physical, sensory or mental capabilities, or lack of experience and knowledge, unless they have been given supervision or instruction concerning use of the appliance by a person responsible for their safety. Children should be supervised to ensure that they do not play with the appliance." (AS/NZS 60335.1 C1.7.12)

DANGER: Contact with ceiling fan blades can cause serious injury or death.

To electricians and installers. The Australian Competition and Consumer Law 2010 mandates consumer protection against defects or poor workmanship in provision of services (such as installing a ceiling fan). To protect yourself and the consumer these instructions must be followed. Failure to do so may result in the consumer making a claim against you for consequential loss or damage.

7. A double pole isolation switch providing full disconnection of both fan and light must be fitted in accordance with the wiring rules (AS/NZS 60335.1 C1.7.12.2).

For safety, and to protect your customers warranty, the following must be taken into account when installing and operating the product(s):

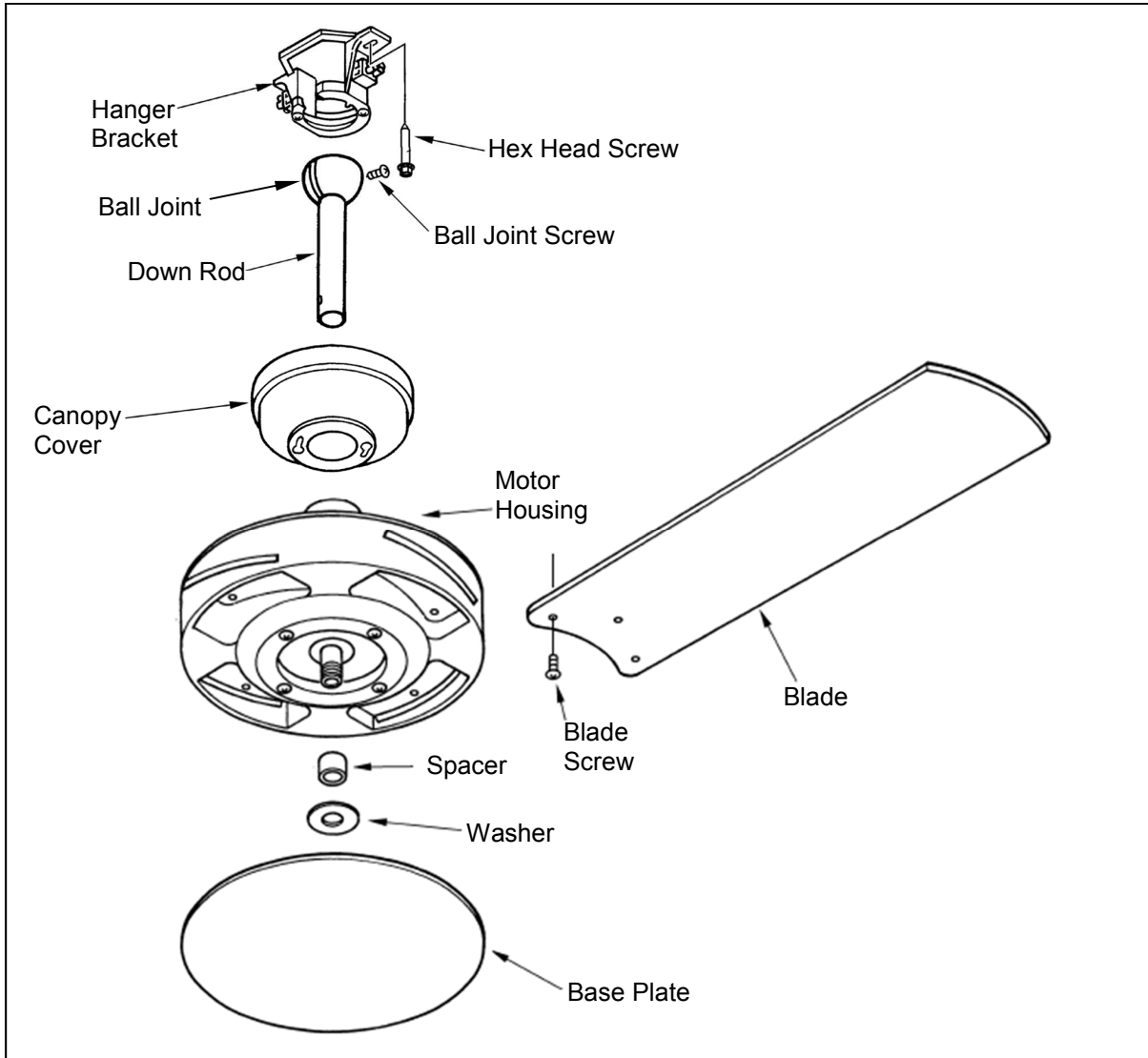
- (a) **DO NOT USE SOLID-STATE WALL CONTROLLERS.** Neither leading nor lagging edge controllers will give satisfactory performance. Wall controls must only be types approved for use by Intercept™.
- (b) The fan, light and bracket must be earthed.
- (c) Fan and light must be run from the same final circuit.
- (d) Mounting bracket must be firmly screwed to a solid structure such as a concrete ceiling, steel structure or timber framing. If additional bracing is added it must be firmly secured to the rafters and not left floating on the ceiling. Special mounts, such as T-hooks, are available for certain types of installation.
- (e) After installation, fan blades must be at least 2.1 m (7 feet) above floor level.
- (f) The use of these products by children and the infirm must be under supervision.

**IF THERE ARE ANY PROBLEMS WITH THE PRODUCT AT TIME OF
INSTALLATION THE INSTALLER MUST CONTACT THE WARRANTY
HOT LINE NUMBER 1300 360 280 BEFORE LEAVING THE JOB
SITE. PLEASE DO NOT REMOVE THE FAN FROM THE CEILING
ONCE INSTALLED UNLESS INSTRUCTED TO DO SO.**



Installation Manual

Parts List - Intercept™ without light

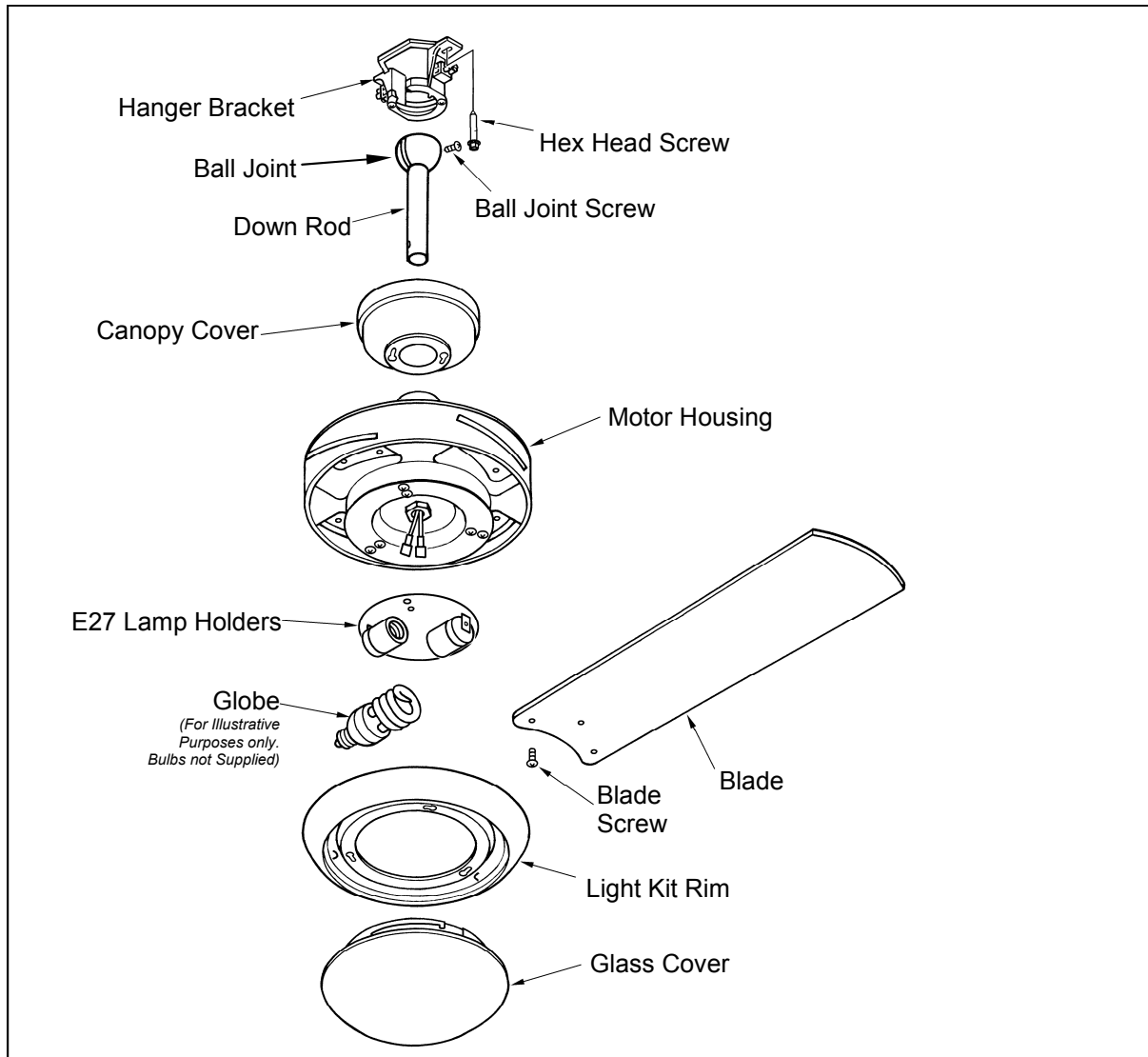


Part	Qty	Part	Qty	Part	Qty
Hanger Bracket	1	Down Rod Short Screw	1	Washer	1
Hex Head Screw	2	Motor Housing	1	Base Plate	1
Ball Joint	1	Canopy Cover	1	Wall Speed Capacitor	1
Ball Joint Screw	1	Canopy Cover Screws	2	HPI Wall Controller	1
Ball Joint Pin	1	Blades	4		
Down Rod (26mm Diameter)	1	Blade screws	12		
Down Rod Pin Screw	1	Spacer	1		



Installation Manual

Parts List - Intercept™ with light (E27 Lamp Holders)



Part	Qty	Part	Qty	Part	Qty
Hanger Bracket	1	Canopy Cover	1	HPI Wall Controller	1
Hex Head Screw	2	Canopy Cover Screws	2	Wall Speed Capacitor	1
Ball Joint	1	Motor Housing	1		
Ball Joint Screw	1	E27 Lamp Holders	1		
Ball Joint Pin	1	Blades	4		
Down Rod (26mm Diameter)	1	Blade Screws	12		
Down Rod Pin Screw	1	Light Kit Rim	1		
Down Rod Short Screw	1	Glass Cover	1		



Installation Manual

IMPORTANT INFORMATION

The table below contains information that can help you quickly identify the product you are installing. If you have any difficulties installing our product, we recommend you to call our warranty line on 1300 360 280 for advice.

<u>CODE</u>	<u>SIZE</u>	<u>FAN MODEL NAME</u>	<u>COLOUR</u>
300	132cm, (52")	Intercept without light	White Motor & Blades
301	132cm, (52")	Intercept without light	Brushed Aluminium Motor & Blades
306	132cm, (52")	Intercept with light (E27 Lamp Holders)	White Motor & Blades
307	132cm, (52")	Intercept with light (E27 Lamp Holders)	Brushed Aluminium Motor & Blades



1. **Do not** attempt to operate the fan (or optional light kit) with any wall control that is not approved by Intercept™ for use with its fans. DO NOT use solid state controllers. The use of unapproved controllers may void your warranty.
2. **Do not** mix blade sets from one fan to another as this may upset the balance of the fan. If only one blade is damaged you are still required to replace with a new set.



Installation Manual

Installation Instructions (Assembling the fan)

STEP 1 (Fig. 1 & 1a)

- Loosen the ball joint screw and remove the ball joint pin to separate the Down Rod from the ball joint.
- Feed wires from motor housing up and through the Down Rod.
- Insert the down rod pin screw through the connection collar and the Down Rod (avoid pinching wires). Tighten Down Rod pin screw. Secure Down Rod from wobbling with the other shorter Down Rod Grub Screw provided.
- Slide on canopy cover and refit the ball joint.

If an extension rod needs to be installed please go to page 13.

DANGER: All pins and screws must be correctly fitted and tightened.

STEP 2 (Fig. 2)

- Drill a hole in the timber nogging for wiring.
- Secure the hanger bracket onto the timber nogging, using the two hex head screws provided. The timber nogging should be supplied by the installing electrician and must be supported between the two ceiling joists as shown in the diagram.



- Do not** attempt to operate the fan (or optional light kit) with any wall control that is not approved by Intercept™ for use with its fans. DO NOT use solid state controllers. The use of unapproved controllers may void your warranty.
- Do not** mix blade sets from one fan to another as this may upset the balance of the fan. If only one blade is damaged you are still required to replace with a new set.



Installation Manual

Installation Instructions (Assembling the fan)

Fig. 3

STEP 3 (Fig. 3)

a) Hang the ball joint into the hanger bracket. Ensure the groove on the hanger bracket is locked into the slot on the ball joint. (This is important to ensure the fan will not wobble and the weight of the fan is supported).

Fig. 4

STEP 4 (Fig 4 & 5)

a) Connect wires from the fan with wires in the ceiling via the terminal block on the hanger bracket refer to Figure 4 and 5.

b) Make sure earth wires are also connected.

c) Connect light wires (red/white) if a light fitting is going to be used. (Cap seal light wires if a light fitting is not going to be used).

Wiring Instructions (with and without accessory light)

WARNING: To comply with AS/NZS 60335.1 a **Double Pole Isolation switch** must be fitted in series with the supply of this product.

Fig. 5



1. **Do not** attempt to operate the fan (or optional light kit) with any wall control that is not approved by Intercept™ for use with its fans. DO NOT use solid state controllers. The use of unapproved controllers may void your warranty.
2. **Do not** mix blade sets from one fan to another as this may upset the balance of the fan. If only one blade is damaged you are still required to replace with a new set.



Installation Manual

Installation Instructions

(Assembling the fan)

NOTE: For fan with E27 Lamp Holders turn to page 9 for installation instructions

	<p>STEP 5 (Fig 6)</p> <p>a) Loosen canopy screws half way b) Slide canopy cover up and over the hanger bracket and position canopy screws through the keyway in canopy cover . c) Rotate the canopy clockwise and tighten screws until canopy cover is tightly held. d) Check rim of canopy is not touching the ceiling. Add packing washers between canopy and bracket to lower canopy</p>
	<p>STEP 6 (Fig 7)</p> <p>a) In order to attach the blades, the base plate must be removed from the motor housing. To remove the base plate, press hand with fingers spread out on to the base plate and turn it anticlockwise. Unscrew and remove Base Plate. b) Take out the washer and the spacer and put them aside c) Insert blades into the motor housing as shown in Figure 7, now tighten the blade screws firmly. Repeat this step for all four blades. Install each blade individually. Do not mix blades from different fans as this can upset the balance of the fan. d) Once blades are attached, place the spacer and washer back on to the fan. Note: the spacer must be placed in before the washer to avoid noises. e) Reattach the base plate, turn base plate clockwise to securely attach it to the motor housing.</p>
	<p>STEP 7 (Fig 8)</p> <p>a) Check to ensure the reverse switch is locked into position. Make sure it is either set in the Summer or Winter position. b) Test and ensure fan is operating correctly on all three speeds in both forward and reverse.</p>



- Do not** attempt to operate the fan (or optional light kit) with any wall control that is not approved by Intercept™ for use with its fans. DO NOT use solid state controllers. The use of unapproved controllers may void your warranty.
- Do not** mix blade sets from one fan to another as this may upset the balance of the fan. If only one blade is damaged you are still required to replace with a new set.



Installation Manual

Installation Instructions (Assembling the E27 lamp holders)

	<p>STEP 5 (Fig 9)</p> <p>a) Loosen canopy screws half way b) Slide canopy cover up and over the hanger bracket and position canopy screws through the keyway in canopy cover . c) Rotate the canopy clockwise and tighten screws until canopy cover is tightly held. d) Check rim of canopy is not touching the ceiling. Add packing washers between canopy and bracket to lower canopy</p>
	<p>STEP 6 (Fig 10)</p> <p>a) Insert blades into the motor housing as shown in Figure 10 and tighten the blade screws firmly. Repeat this step for all four blades. Do not mix blades from different fans as this can upset the balance of the fan.</p>
	<p>STEP 7 (Fig 11)</p> <p>a) Remove the three inner screws on the Light Kit Mounting surface to attach the E27 assembly.</p> <p>NOTE: DO NOT DISCARD SCREWS</p>

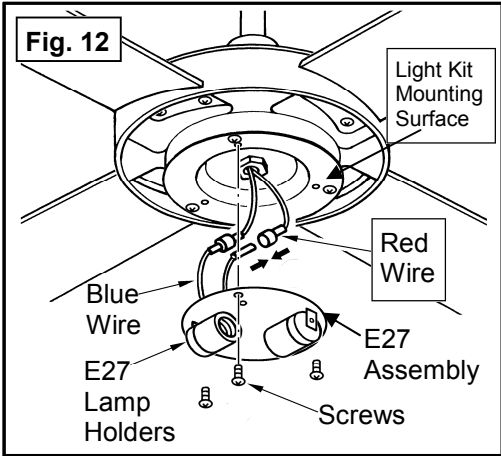
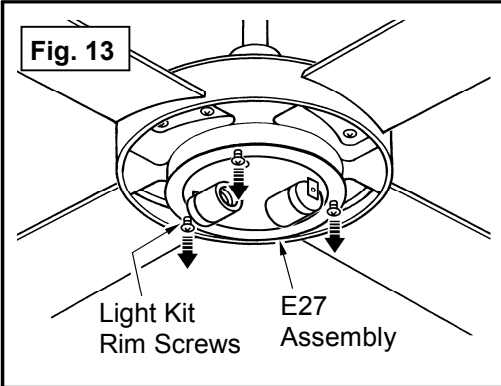
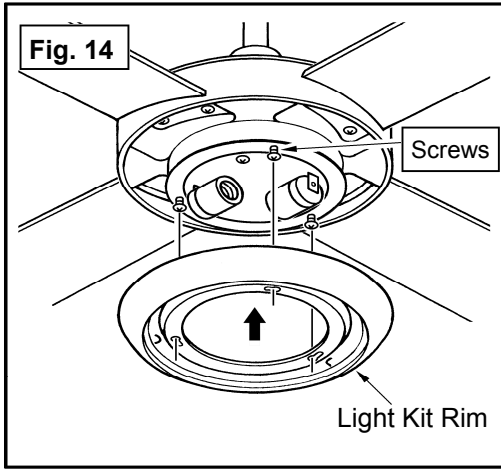


- Do not** attempt to operate the fan (or optional light kit) with any wall control that is not approved by Intercept™ for use with its fans. DO NOT use solid state controllers. The use of unapproved controllers may void your warranty.
- Do not** mix blade sets from one fan to another as this may upset the balance of the fan. If only one blade is damaged you are still required to replace with a new set.



Installation Manual

Installation Instructions (Assembling the E27 lamp holders)

	<p>STEP 8 (Fig 12)</p> <p>a) Connect the red and blues wire from those on the E27 assembly.</p> <p>b) Attach the E27 assembly to the Light Kit Mounting surface using the three screws removed in Step 6.</p> <p>NOTE: Make sure the cutting washer pierces the paint of the light assembly plate</p> <p>WARNING: The thermal insulating pad must remain in place when installing the E27 assembly.</p>
	<p>STEP 9 (Fig 13)</p> <p>a) Loosen the three outer screws on the rim of the Light Kit Mounting surface.</p> <p>NOTE: DO NOT REMOVE SCREWS COMPLETELY AND DO NOT DISCARD.</p>
	<p>STEP 10 (Fig 14)</p> <p>a) Locate the three keyways in the Light Kit Rim and position over the loosened screws.</p>



1. **Do not** attempt to operate the fan (or optional light kit) with any wall control that is not approved by Intercept™ for use with its fans. DO NOT use solid state controllers. The use of unapproved controllers may void your warranty.
2. **Do not** mix blade sets from one fan to another as this may upset the balance of the fan. If only one blade is damaged you are still required to replace with a new set.



Installation Manual

Installation Instructions (Assembling the E27 lamp holders)

	<p>STEP 11 (Fig 15)</p> <p>a) Rotate Light Kit Rim clockwise. b) Tighten screws to secure Light Kit Rim in place.</p>
	<p>STEP 12 (Fig 16)</p> <p>a) Align the Location Lugs in the Glass Cover with the Keyway in the Light Kit Rim Plate. b) Once aligned rotate the Glass Cover clockwise until only just secure.</p> <p>WARNING: DO NOT OVER-TIGHTEN THE GLASS OR IT WILL BE DIFFICULT TO REMOVE. THE GLASS COVER CANNOT FALL OFF IF IT IS SLIGHTLY LOOSE BUT IT MAY RATTLE. TIGHTEN ONLY ENOUGH TO PREVENT RATTLING.</p>
	<p>STEP 13 (Fig 17)</p> <p>a) Check to ensure the reverse switch is locked into a position. Make sure it is either set in the Summer or Winter position. b) Test and ensure fan is operating correctly on all three speeds in both forward and reverse directions.</p>



- Do not** attempt to operate the fan (or optional light kit) with any wall control that is not approved by Intercept™ for use with its fans. DO NOT use solid state controllers. The use of unapproved controllers may void your warranty.
- Do not** mix blade sets from one fan to another as this may upset the balance of the fan. If only one blade is damaged you are still required to replace with a new set.



Installation Manual

Trouble Shooting Tips - Light

- **Light will not turn on** - Make sure globe has not blown and is properly fitted. Check all light wires in the light kit, the terminal block in the canopy cover and the wall switch have been connected correctly.
- **Light is not responding to remote control**- Make sure globe has not blown. Check all light wires in the light kit, the terminal block in the canopy cover and the remote receiver have been connected correctly. Check dip switch settings in remote hand piece and remote receiver correspond. Check handpiece battery.
- **Light wires appear to be missing or too short** - Wires may be stuck in the motor housing. Carefully pull wires out of the motor housing, careful not to strip the wires as this may cause the fan to short.
- **Light flickers or flashes** - Check globe is secured properly. Check CFL or LED globes are not defective, then recheck wiring.
- **NOTE: DO NOT USE CFL OR LED GLOBES WITH LIGHT DIMMERS OR DIMMING REMOTE CONTROLS**



1. **Do not** attempt to operate the fan (or optional light kit) with any wall control that is not approved by Intercept™ for use with its fans. DO NOT use solid state controllers. The use of unapproved controllers may void your warranty.

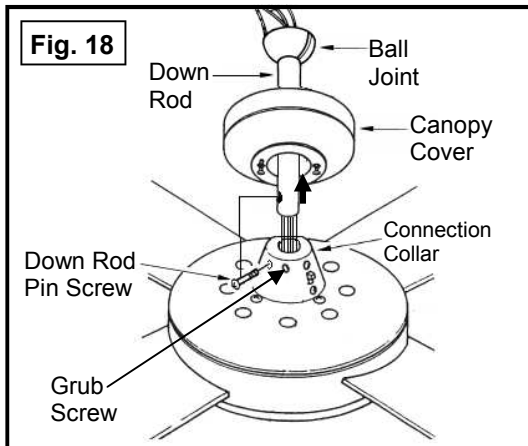
2. **Do not** mix blade sets from one fan to another as this may upset the balance of the fan. If only one blade is damaged you are still required to replace with a new set.



Installation Manual

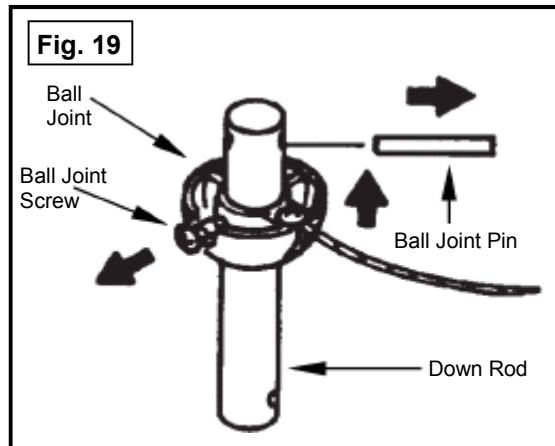
Installation of Extension Down Rod

(Attaching an extension rod - Intercept™ rods to be used ONLY)



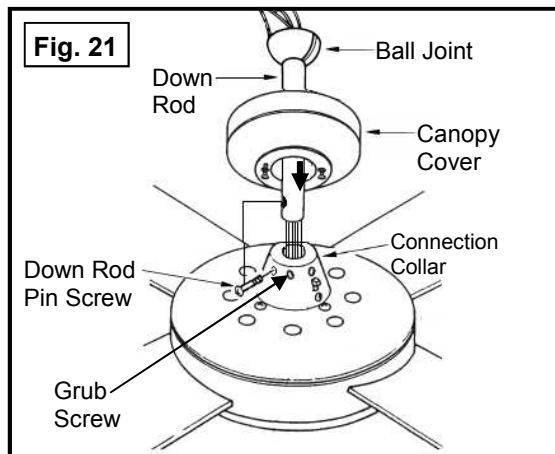
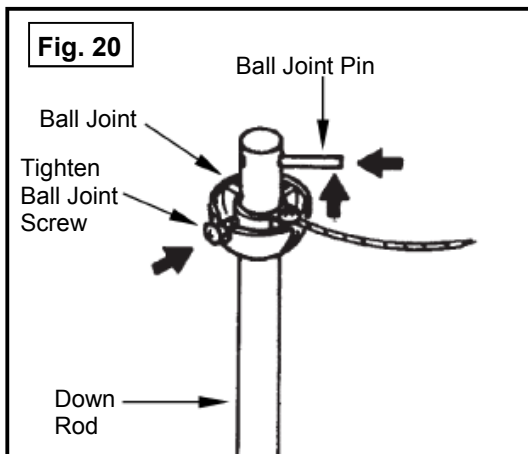
STEP 1 (Fig. 18)

Loosen the down rod grub screw then loosen and remove the down rod pin screw to remove the standard down rod from the motor housing.



STEP 2 (Fig. 19)

Loosen the ball joint screw, take out the ball joint pin and remove the ball joint. Then slide off the canopy cover.



STEP 3 (Fig. 20 & 21)

Now install the extension rod, make sure fan wires are fed through the new rod. Reverse step 1 & 2 to secure the rod to the fan and the ball joint.

NOTE: If the extension rod needs to be shortened, cut the rod to the required length and drill the appropriate hole size to fit the ball joint pin. The cut end of the rod should be used on the ball joint end only. The hole for the pin must be exactly positioned to pass through the centre of the rod, drilled straight and horizontal. When installing a 1.8m extension rod the wiring will need to be extended and joined. This should be done using crimp style connectors.



1. **Do not** attempt to operate the fan (or optional light kit) with any wall control that is not approved by Intercept™ for use with its fans. DO NOT use solid state controllers. The use of unapproved controllers may void your warranty.
2. **Do not** mix blade sets from one fan to another as this may upset the balance of the fan. If only one blade is damaged you are still required to replace with a new set.



Installation Manual

Trouble Shooting Tips - Fan

Fan will not start

- Check that the reversing switch is pushed into its Summer or Winter position.
- Check wire connections in the wall switch and terminal blocks, ensure all wires are making proper contact.
- Check isolation switch is 'on'.

Fan speed is not responding to the wall controller

- Check the speeds on the wall controller has been wired correctly and are making proper contact. Brown = speed 1, Purple = speed 2, Red = speed 3.
- Check wires in the terminal block are connected properly, connection wires should be stripped back at the connection point and unused wires should be sealed and capped off.
- Check that the reversing switch is pushed into its Summer or Winter position.

Fan is not responding to the remote control (if fitted)

- Check for flat battery. Make sure the dipswitch settings in the hand piece and the remote receiver match.

Fan is wobbling

- Check the ball joint slot is locked into the hanger bracket groove.
- Make sure blades are a matching set; the figures on matching sets of blades should be identical with the numbers varying within 3 grams of each other.
- Check blade screws are tightened firmly. If necessary use balancing kit provided to settle the wobble.
- Make sure bracket is tight against ceiling and the ceiling and the ceiling structure are not moving.

Fan is noisy

- Check all screws and parts are secured firmly. Ensure there are no loose parts moving inside the motor housing.
- Make sure the fan is installed with an Intercept™ wall controller only, do not use solid state controllers as they will cause unpleasant motor noises.

National Warranty Line 1300 360 280

Monday to Friday from 9am to 5pm EST
Only available within Australia



1. **Do not** attempt to operate the fan (or optional light kit) with any wall control that is not approved by Intercept™ for use with its fans. DO NOT use solid state controllers. The use of unapproved controllers may void your warranty.
2. **Do not** mix blade sets from one fan to another as this may upset the balance of the fan. If only one blade is damaged you are still required to replace with a new set.



Installation Manual

General Maintenance

Changing Remote Batteries: - Batteries used in Handsets will weaken over time and should be replaced every 6 months. Batteries removed from the handset should be disposed of properly and kept out of reach of children.

*** Always ensure fan is completely switched off at the wall switch or circuit breaker ***

Cleaning the Motor Housings: - Motor housings should be regularly cleaned to avoid build up of dust. Dust will attract moisture and condensation leading to corrosion. Use a soft damp (not wet) cloth to remove dust.

Cleaning the Blades: - Use a soft damp cloth to remove dirt from blades. Always dry blades after cleaning. Blades should not be left damp or wet as this will damage blade finish or cause corrosion.

Always use soft cloths to clean blades and motor housings to avoid scratching painted and plated finishes. Ideally your fan should be cleaned every 3 to 4 months.

If removing blades for cleaning then do so for each fan separately, do not mix blades from different fans as this can upset the balance of the fan.

Normal Wear and Tear: - Please note that a ceiling fan travels an enormous distance in the course of its normal operation. Air is abrasive and suspended dust, high humidity and other contamination will cause wear and tear of surfaces.

The use of fans under roofed decks and pergolas next to swimming pools and in coastal areas will require increased maintenance due to the presence of chlorides (either as common air borne salt spray or from compounds in pool chemicals)

The temperatures attained in the peak of a pitched deck or veranda roof can easily exceed 60-70°C and especially when coupled with chlorides this will increase maintenance requirements. Even indoors in coastal areas the influx of warm, sea air can accelerate the surface corrosion of metal parts. This can still happen a great many kilometres from the sea.

When humidity is high and temperature drops moisture condenses on metal surfaces including ceiling fans. The layer of moisture can be almost microscopic but it will affect the surface by depositing a tiny layer of dissolved salts or airborne acidic compounds and thus eventually leading to corrosion if the product is not properly and regularly cleaned.

LACK OF MAINTENANCE LEADING TO SURFACE CORROSION OR SIMILAR DAMAGE IS NOT COVERED BY WARRANTY.

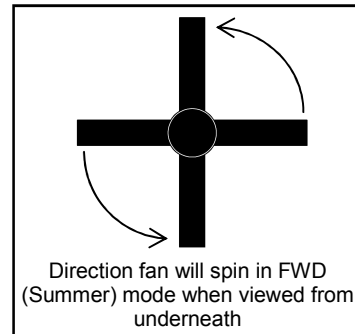
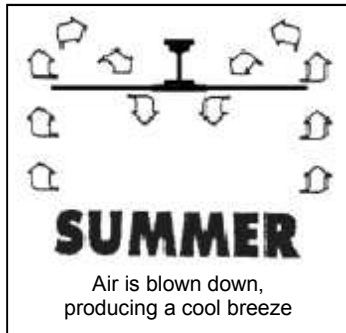


1. **Do not** attempt to operate the fan (or optional light kit) with any wall control that is not approved by Intercept™ for use with its fans. DO NOT use solid state controllers. The use of unapproved controllers may void your warranty.
2. **Do not** mix blade sets from one fan to another as this may upset the balance of the fan. If only one blade is damaged you are still required to replace with a new set.



Installation Manual

FORWARD (Summer) and REVERSE (Winter) Modes Explained

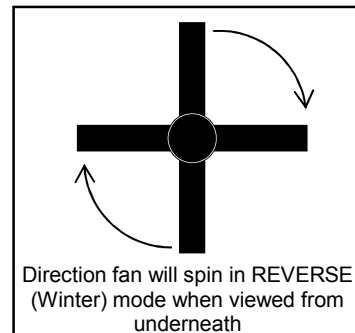
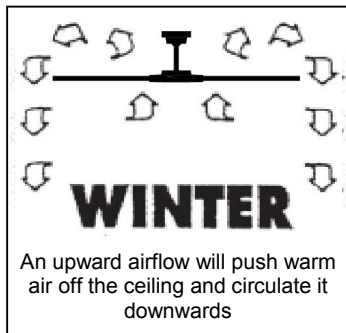


FORWARD (Summer) Mode

Ceiling fans are an environmentally smart choice to assist with cooling and warming your home.

In FORWARD (Summer) mode your ceiling fan will spin to push air down the centre of the fan producing a cooling breeze.

The direction the fan will spin in FORWARD (Summer) when viewed from underneath will be anti-clockwise.



REVERSE (Winter) Mode

In REVERSE (Winter) mode your ceiling fan will spin the opposite direction. Air is drawn up the centre of the fan, and pushed along the ceiling to circulate down to the living areas.

The REVERSE (Winter) mode can also be for air circulation in a poorly ventilated rooms.

The direction the fan will spin in REVERSE (Winter) when viewed from underneath will be clockwise.



1. **Do not** attempt to operate the fan (or optional light kit) with any wall control that is not approved by Intercept™ for use with its fans. DO NOT use solid state controllers. The use of unapproved controllers may void your warranty.
2. **Do not** mix blade sets from one fan to another as this may upset the balance of the fan. If only one blade is damaged you are still required to replace with a new set.



Installation Manual

Quick Checklist

Electricians make sure everything on this checklist is ticked off before you leave the installation site. If you have trouble installing our product please refer to the trouble shooting section on the previous page first then phone the Intercept™ Warranty Line on 1300 360 280 (open 9am to 5pm EST). DO NOT uninstall the fan and DO NOT return fan to retailer.

1.	<u>Ceiling fan is not installed to a solid-state wall controller.</u> Neither leading nor lagging edge controllers will give satisfactory performance. Wall controllers must only be types approved for use by Intercept™.
2.	The fan, fan light assembly and bracket are earthed.
3.	Fan, fan light and remote control receiver are run from the same final circuit via a double pole isolation switch.
4.	Mounting bracket must be firmly secured to a solid structure such as a concrete ceiling, steel structure or timber framing. If additional bracing is added it must be firmly secured to the rafters and not left floating on the ceiling. Special mounts, such as T-hooks, are available for certain types of installation.
5.	Fan blades are at least 2.1m (7feet) above floor level.
6.	Check the fan is operating correctly on all three speeds using the wall controller.
7.	<u>If light is installed.</u> Check light is functioning properly.
8.	<u>If remote control is installed.</u> Check the fan (and light if installed) is responding to the remote control correctly. (Non-dimming remote control only to be used with fluorescent and LED lamps).
9.	Check electrician's details have been recorded onto page 18 of this manual.



1. **Do not** attempt to operate the fan (or optional light kit) with any wall control that is not approved by Intercept™ for use with its fans. DO NOT use solid state controllers. The use of unapproved controllers may void your warranty.

2. **Do not** mix blade sets from one fan to another as this may upset the balance of the fan. If only one blade is damaged you are still required to replace with a new set.



Installation Manual

Fill out the details below and keep this manual. You will need to present your product information, installing electricians license number and proof of purchase for warranty claims.

CUSTOMER DETAILS

Customer Name: _____

Installation Site Address: _____

INSTALLING ELECTRICIAN DETAILS

Electrical company and Electrician Name: _____

License No: _____

Telephone: _____

Mobile: _____

Install Date: _____

Please to fill out the product and purchase details

<u>PRODUCT DETAILS</u>				
Qty	Product Name	Install Area	Colour	Fan Sweep (i.e. 48", 52", 54" etc)

<u>PURCHASE DETAILS</u>			
Qty	Product Name	Purchase Place	Purchase Date

PLEASE RETAIN THE PURCHASE RECEIPT FOR WARRANTY CLAIMS



- Do not** attempt to operate the fan (or optional light kit) with any wall control that is not approved by Intercept™ for use with its fans. DO NOT use solid state controllers. The use of unapproved controllers may void your warranty.
- Do not** mix blade sets from one fan to another as this may upset the balance of the fan. If only one blade is damaged you are still required to replace with a new set.



FOR ANY INSTALLATION QUERIES PLEASE CALL
National Warranty Line
1300 360 280

Monday to Friday from 9am to 5pm EST
Only available within Australia
Building 8, 256 New Line Road
DURAL NSW 2158