

[www.pacificinternationalfans.com.au](http://www.pacificinternationalfans.com.au)



WHITE WITH  
WHITE BLADES



BRUSHED CHROME  
WITH SILVER  
BLADES



ANTIQUÉ BRASS  
WITH WALNUT  
BLADES



# EM-E

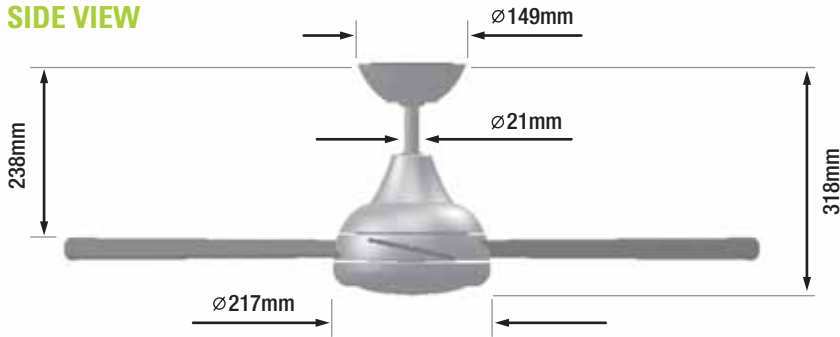
CEILING FAN

SEE OVER FOR A COMPREHENSIVE  
LIST OF FEATURES AND  
ACCESSORY LIGHT FITTINGS

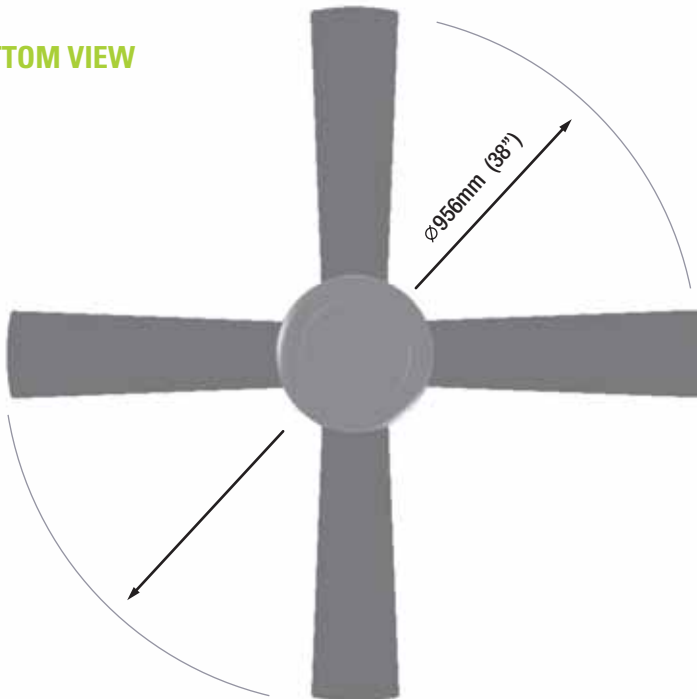
# EM-E CEILING FAN

## FEATURES AND DIMENSIONS

### SIDE VIEW



### BOTTOM VIEW

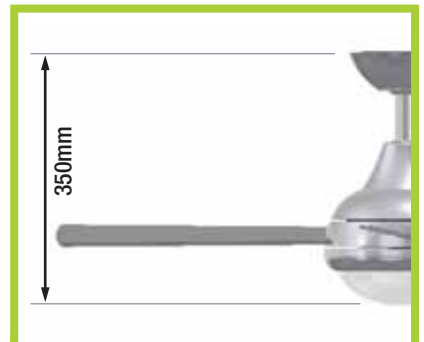


### ACCESSORY LIGHT KIT

The EM-E light kit has been designed to complement the lines of the fan and includes a highly efficient 14W GX53M light assembly (including tube).



**EM-E LIGHT KIT**



**HEIGHT OF FAN + LIGHT**

## Product Features:

- Pressed Metal Body and Canopy
- Reversible Air Flow for Summer/Winter Option
- Remote Control Adaptable (accessory)
- Light Adaptable
- Suitable for Raked Ceilings up to 32°
- Recommended for Indoor Use only
- 3 Speed Switch Designed to fit most Australian Wall Plates
- Eco-Friendly Fan - High Efficiency Motor
- 2 Year 'In-Home' Warranty + additional 3 Year Motor Parts Warranty
- Timber Blades (not MDF)
- Suitable for use with Building Automation Systems (BMS)\*  
\* ONLY SUITABLE IF USED WITH SPECIFIED CONTROL RELAY UNITS
- Fan & Light must be Installed and Serviced by Qualified Persons

**DESIGNED & ENGINEERED BY PACIFIC INTERNATIONAL FANS IN SYDNEY, AUSTRALIA**

# EM-E

## CEILING FAN

DISTRIBUTED BY: