

# CONCEPT 2 ICE RANGE CEILING FAN



Silver Ice



Black Ice

**Installation Locations:**  
Indoor Only

**Recommended Height:**  
There should be at least 2.1m between the lowest point of the fan blades and the floor.

**Top of canopy cover to lowest point of the fan without light fittings attached:**  
Approximately 280mm

**Motor:**  
16 Pole, 153mm x 18mm motor  
Made with the highest grade copper windings and silicone steel stator. Bearings are sealed to ensure quiet operation and long life.

**Motor Housing:**  
Materials: Die Cast Aluminium Triple Plated

**Available Colours :**  
Black Ice & Silver Ice

**Blades:**  
Sizes: 1320mm (52")  
Materials: NZ plywood, UV Coated  
Blade Pitch: 12°

**Available Blade Colours:**  
Black, Silver, Rosewood, Walnut & Beech UV Coated

**Extra Information:**  
Introduced into the HPI range in 2011  
3 Speed wall controller  
Light Adaptable  
Reversible

**Standard Canopy Cover:**  
Suitable for flat and pitched ceilings up to 28°

**Wall Controller Speed Capacitor Values:**  
3µF & 2µF

**Rotational Diameter:**  
1320mm (52") blade sweep

**Ceiling to top side of the blade:**  
Approximately 229mm

**Weight Including Packaging:**  
Complete fan: 7kg  
Light Fitting: 1.3kg

**Packaging Dimensions (cm):**  
Complete Fan: 41L x 31W x 22H

**Accessories:**  
Remote Control  
Extension Down Rod 26mm diameter  
45° Ceiling Kit (for pitched ceilings)  
T-Hook for ceiling roses  
Universal Mounting Brace

**Warranty**  
2 years "in home" covering major defects  
3 Years additional covering motor only (not labour)  
Remotes -1 year "in home" covering major defects.  
(receiver and handpiece)  
Lights -1 year "in home" covering major defects

**Airflow and Efficiency:**  
Airflow measured in Australia using the "Energy Star Solid-State Test Method", the only test method recognised For USA Energy Star compliance.

	HIGH	MED	LOW
<b>RPMS</b>	200	126	99
<b>WATTS</b>	66	29.3	16.8
<b>AIRFLOW<sup>^</sup>: AUS-ES / USA-ES</b>	9054 / 12223	5928 / 8003	4238 / 5721
<b>EFFICIENCY<sup>^</sup>: AUS-ES / USA-ES</b>	137.18 / 185.20	202.32 / 273.14	252.26 / 340.54

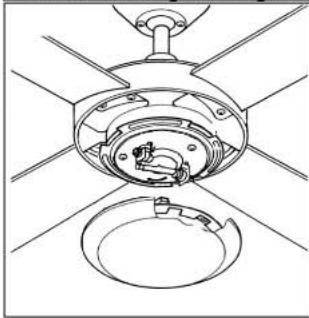
<sup>^</sup> Airflow measured in Cubic metres/ Hour (CM/HR), Efficiency measured in CM/HR per watt (CMH/W)

# For full warranty details please see Hunter Pacific International's website [www.hunterpacific.com.au](http://www.hunterpacific.com.au)

# CONCEPT 2 ICE RANGE LIGHTING



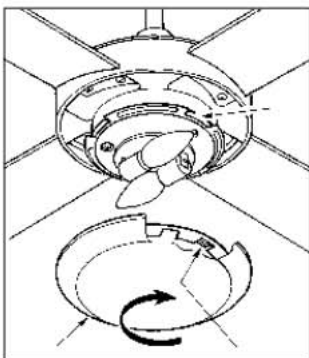
## 78mm Halogen Light (MAX 100W)



- Cost effective
- Colour—warm white
- Dimmable
- Compact in size



## E14 Light ( MAX 2x40W)



- Accepts a variety of lamps, e.g. incandescent, fluorescent.
- Cost effective
- Compatible with some CFL lamps



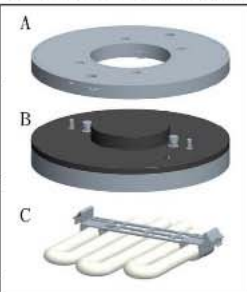
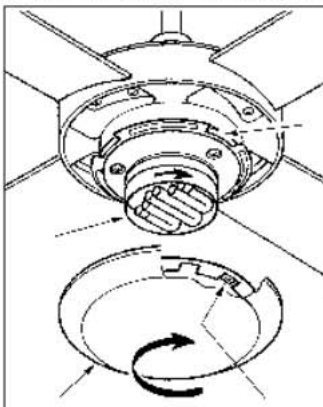
## FLAT STYLE GLASS



**Colours Available:**  
Black Ice, Silver Ice

**Packaging Dimensions**  
26L x 26W x 11H  
1.3kgs  
240mm diameter

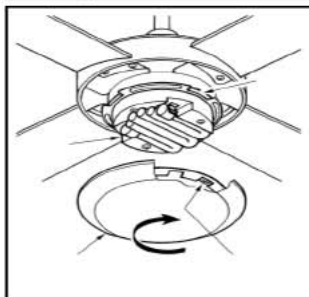
## GX53M 14W Compact Fluorescent Light



A Base  
B Lamp Assembly  
C Tube

- Low wattage
- High light output
- Liquid mercury free
- Colour—Warm white/Cool white colour temperatures available
- Low heat
- 12000 hour life span
- 2700k or 3000k

## Flat 6, 26W Fluorescent Lamp



- High Efficiency (EEI=A2)
- High light output
- Liquid mercury free
- Low heat
- Fewer shadows visible
- Dimmable on certain fan models; ecO<sup>2</sup> & Ice Range (with Model 089 FLDR)
- 4100k

^ All light kits must be installed by a licensed electrician. For further information about correct installation procedures, please see [www.hunterpacific.com.au](http://www.hunterpacific.com.au)

# For full warranty details please see Hunter Pacific International's website [www.hunterpacific.com.au](http://www.hunterpacific.com.au)