



HUNTER PACIFIC INTERNATIONAL *Ceiling Fans*

buy the original and buy the best™

www.hunterpacific.com.au

FAN COLOURS

Brushed Aluminium

Polished Aluminium

White Birch

Matt Black

White

THE AUSTRALIAN DESIGNED

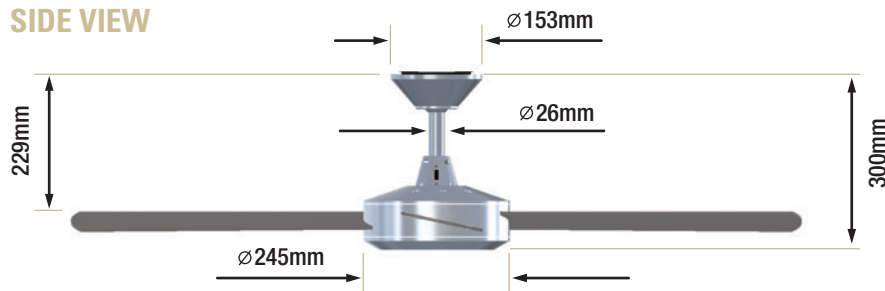


SEE OVER FOR A COMPREHENSIVE LIST OF
FEATURES AND ACCESSORY LIGHT FITTINGS

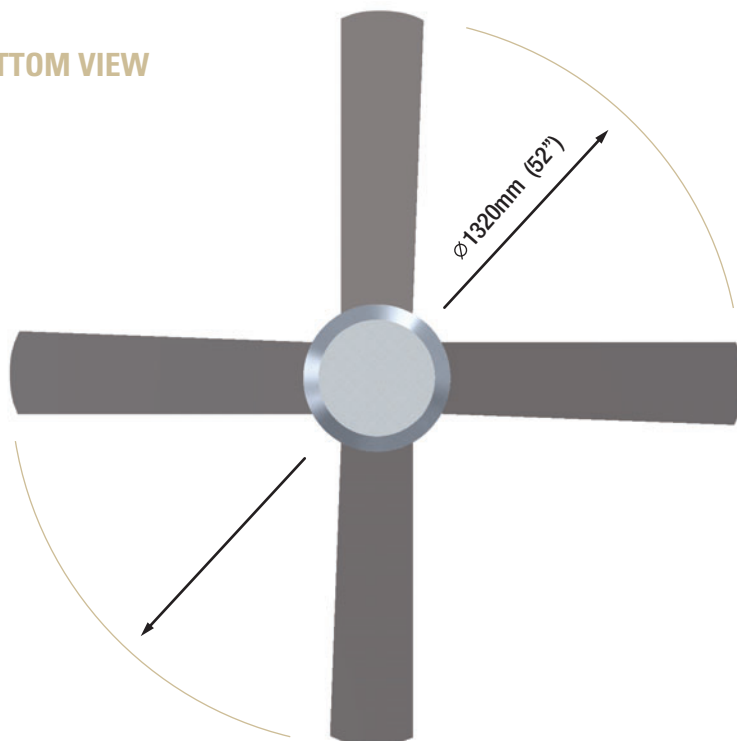
AUSTRALIAN REGISTERED DESIGN
AND PATENT PENDING

SPECIFICATIONS SUBJECT TO CHANGE - REFER TO www.hunterpacific.com.au FOR FULL PRODUCT SPECIFICATIONS

SIDE VIEW



BOTTOM VIEW



ACCESSORY LIGHT KIT

Available in Flat or Round glass with a choice of:

- Ⓢ 1 x 26w Flat 6 Fluorescent
- Ⓢ Twin E14 Screw Sockets
(bulbs not supplied)
- Ⓢ 1 x 14w GX53M Fluorescent
(liquid mercury free)
- Ⓢ 1 x Halogen 78mm 100w Max.



R

Round Lens



F

Flat Lens



Product Features:

- Ⓢ Die-Cast Aluminium Body and Canopy
- Ⓢ Reversible Air Flow for Summer or Winter Use
- Ⓢ Remote Adaptable
(ACCESSORY REMOTE CONTROL SYSTEM AVAILABLE)
- Ⓢ Timber Blades
(PLYWOOD NOT MDF)
- Ⓢ Suitable for Raked Ceilings up to 28°
- Ⓢ Light Adaptable
- Ⓢ 3 Speed Switch Designed to fit most Australian Wall Plates
- Ⓢ 2+3 2 Year 'In-Home' + 3 Year Motor Parts Warranty
- Ⓢ Fan Must be Installed and Serviced by Qualified Persons
- Ⓢ Suitable for use with Building Automation Systems (BMS)*
** DO NOT USE DIMMER-TYPE MODULES*
- Ⓢ Suitable for Coastal/Indoor/Outdoor Undercover Installation*
** TIMBER BLADES MAY SWELL IN HUMID ENVIRONMENTS & NEED REPLACEMENT*
- Ⓢ Accessory 1220mm (48") Plywood Blades Available



THE AUSTRALIAN DESIGNED



DISTRIBUTED BY: