



# Azure 26 Timber 122cm (48") with 2xE27 Light

- 3 SPEED WALL CONTROL
- REMOTE ADAPTABLE
- REVERSIBLE
- 10° BLADE PITCH
- 7 YEAR WARRANTY



AT2615

**MATT WHITE**

With matt white blades  
122cm (48")

^ Hunter Pacific International Pty Ltd reserves the right to change specifications without notice.  
Colours shown may vary from actual product. Refer to website for full terms and conditions.

# Azure 26 Timber 122cm (48") with 2xE27 Light

## Product Range:

AT2615 - Matt White with Matt White Blades

## Features:

- 3 Speed wall control
- Summer/Winter reversible via switch on motor
- Plywood blades
- Remote Adaptable
- Suitable for flat & pitched ceilings up to 28°
- 7 Year warranty^

## Installation Locations:

Indoor installation only.

There should be at least 2.1m between the lowest point of the fan blades and the floor.

## Wall Control Speed Capacitor Values:

2µF & 3.5µF

## Available integrated light options:

2x E27 screw sockets (bulbs not supplied)

## Warranty:

- 3 year in-home warranty on the motor, excluding cosmetic issues and corrosion (unless reported in the first 3 months).
- 4 year additional Parts Only Warranty on the motor.
- All non-integrated HPI light kits and AC remote control systems are separately purchased accessories for AC ceiling fans, and as such are covered by our accessory parts warranty.
- 1 year warranty applies when the fan or relevant part is used in any non-domestic applications.

\*For full warranty details please see Hunter Pacific International's website [www.hunterpacific.com.au](http://www.hunterpacific.com.au)

## Accessories (sold separately):

### Down Rod 26mm diameter (includes wire loom)

- 010 - 910mm White Downrod
- 020 - 1800mm White Downrod

009 - T-Hook for ceiling roses

### 38° Ceiling Kit (for pitched ceilings)

080 - Ceiling Kit White

### AC Remote Control Units

- A2002 - Konetik (3 speed - non dimming AC remote)
- A2003 - Logic (4 speed - dimming, timer function, AC remote)

### Zellweger Ripple Tone Filter Unit

- 007 - 1050Hz Notch Filter Noise Suppressor
- 008 - 750Hz Notch Filter Noise Suppressor

W04-504 Replacement Diffuser Only

W06-015 Capacitor 2 & 3.5uF

W06-018 Wall Mech & Knob Only

W06-020 Start Run Cap 1.5uF

W06-026 Wall Mech & Capacitor 2 & 3.5uF

## Extra Information:

**Motor:** 153mm x 15mm motor 16 Pole, Made with the highest grade copper windings and silicone steel stator. Bearings are sealed to ensure quiet operation and long life.

**Blades:** 122cm (48") Straight Style  
Materials: Plywood, Painted finish  
Blade Pitch: 10°

## Weight Including Packaging:

Complete fan:  
122cm (48"): 6.9kg

## Packaging Dimensions (cm):

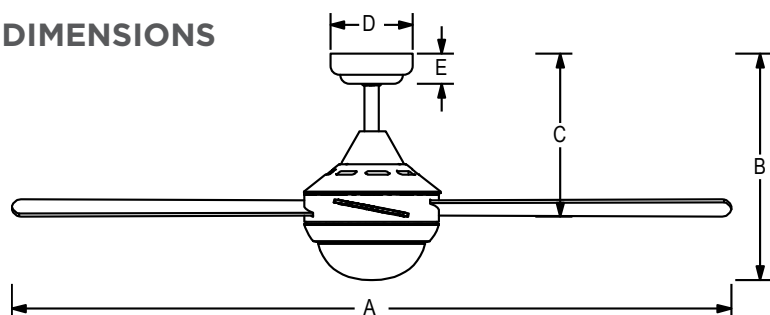
122cm (48"): 54L x 24W x 26H

## AIRFLOW

	122cm (48")		
	LOW	MEDIUM	HIGH
RPMS	102	145	182
WATTS	15.6	26.9	47.2
AIRFLOW (CMH)	6459	8637	11542

\* CMH = Cubic Meters per Hour

## DIMENSIONS



	122cm (48")
A	1220mm
B	400mm
C	290mm
D	131mm
E	56mm