



**White**



**Bright Brass**



**Brushed Nickel**



**New Bronze**

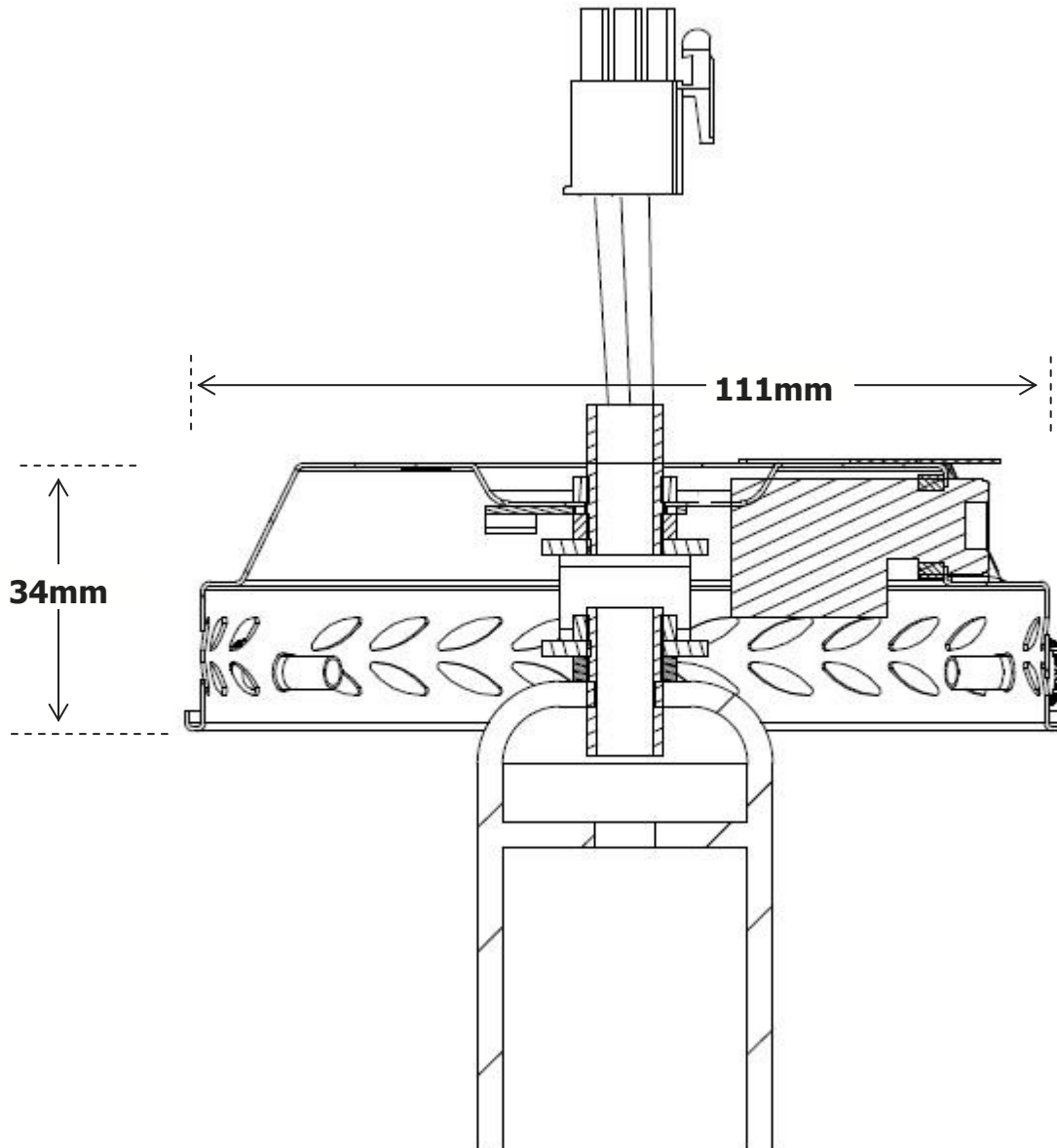


# Globe Adaptors<sup>TM</sup>

**4 1/4" Globe adaptor fitted with Hunter pull chain will suit most Hunter fans, and accommodate many different glass designs and sizes. 1 x E27 lampholder enables the Globe Adaptors to be used with energy efficient CFL light globes, or energy saving halogen options, dependant on the size of glass used (NB: Glass not included).**

- 24432:** Globe Adaptor White
- 24434:** Globe Adaptor Bright Brass
- 24435:** Globe Adaptor Brushed Nickel
- 24437:** Globe Adaptor Bronze

# Globe Adaptors<sup>TM</sup>



When fitted to a Hunter ceiling fan, this light kit will add 34mm PLUS the height of the glass to the overall height dimensions of the ceiling fan.

This fan light connects to the ceiling fan using the two keyhole slots on top of the light, which connect to corresponding screw holes in the ceiling fan, ensuring a solid connection designed to minimise wobble of the light kit. NB: The threaded rod merely acts as a cable carrier.