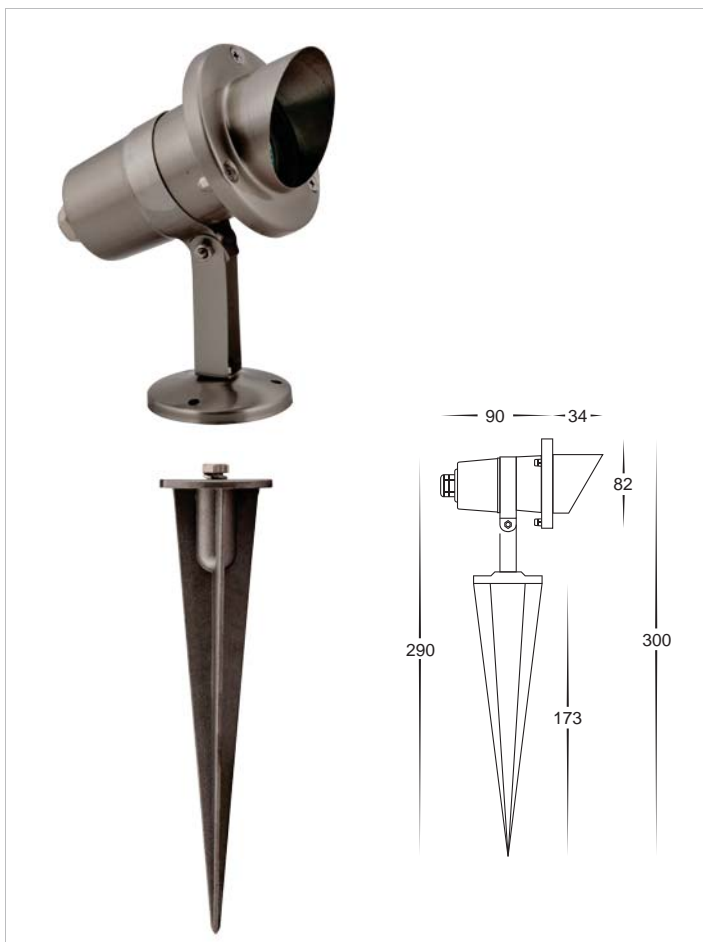


316 Stainless Steel Spike and surface mounted spot



HV3501C **12v LED 5w** HV3501W

- Spike and surface mounted spot light with hood
- Stainless steel 316 marine grade
- 400mm reinforced cable
- 12v MR16 20w max
- Cool white, 6000k, 300lm (HV3501C)
Warm white, 3000k, 250lm (HV3501W)
- IP rating: IP66

Supplied with a replaceable 5w LED globe



HV3502C **12v LED 5w** HV3502W

- Spike and surface mounted spot light
- Stainless steel 316 marine grade
- 400mm reinforced cable
- 12v MR16 20w max
- Cool white, 6000k, 300lm (HV3502C)
Warm white, 3000k, 250lm (HV3502W)
- IP rating: IP66

Supplied with a replaceable 5w LED globe



All low voltage products that specify LED or are fitted with a 12v LED Globe must be used with a suitable LED driver, refer to Pages 153-158