

DIY KIT
INSTRUCTIONS
HV2830
HV2832

DIY Decklights - Accessories

DIY Kit Instructions:

Step 1

Choose the number of fittings required.

Step2

Work out the best cable configuration,
(Must complete step1 first)

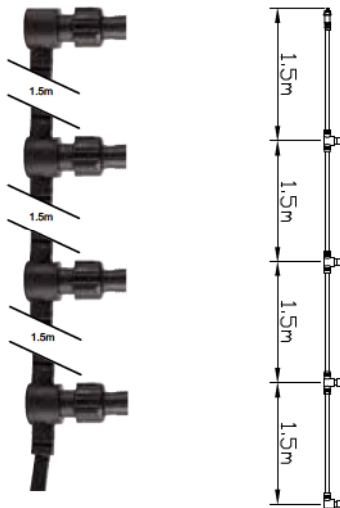
- 1 cable (1x HV2830) = 4x fittings,
- 2 cables (2x HV2830) = 7x fittings,
- 3 cables (3x HV2830) =10x fittings,
- 4 cables (4x HV2830) =13x fittings,
- 5 cables (5x HV2830) = 15x fittings.

Step 3

Choose from Cool White (HV2833C), Warm White (HV2833W), Blue (HV2833B) or you can use a combination of colours.

Step4

Add your driver.
Havit compatible driver HV2832.



HV2830

- 4 Light rubber cable for DIY Deck Light kits
- 1500mm between each outlet
- Max 15 fittings per run
- 6000mm total length
- IP rating: IP67



HV2832

12v 15w

- DIY decklight driver
- To be used with:
- HV2830
- HV2833B
- HV2833C
- HV2833W
- 15w 12v AC
- IP Rating: IP66

