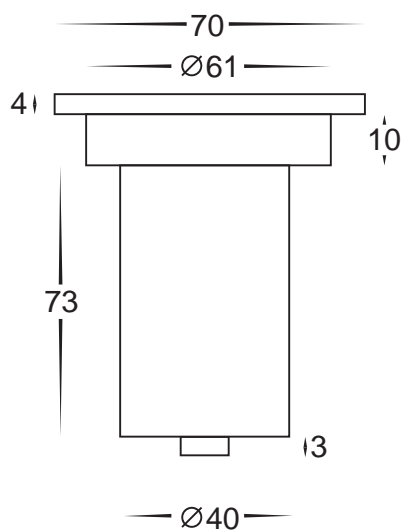


Mini In-ground Uplighters Square



HV2701C 12v LED 1.2w HV2701W

- In-ground uplighter square
- Stainless steel 316 marine grade cover
- Flush tempered glass
- Trafficable to 600kg
- Hole cut out not using plastic canister: 61mm
- Hole cut out using plastic canister: 64mm
- Installation depth needed: 98mm
- Face diameter: 70mm
- NOTE: adequate drainage must be allowed
- 12v MR11 20w max
- Cool white, 6000k , 90lm (HV2701C)
- Warm white, 3000k, 70lm (HV2701W)
- IP rating: IP65
- Can be used with a halogen globe
- LED fittings be used with a suitable LED driver (Refer to Pages 153-158)



Supplied with a replaceable
1.2w LED globe

