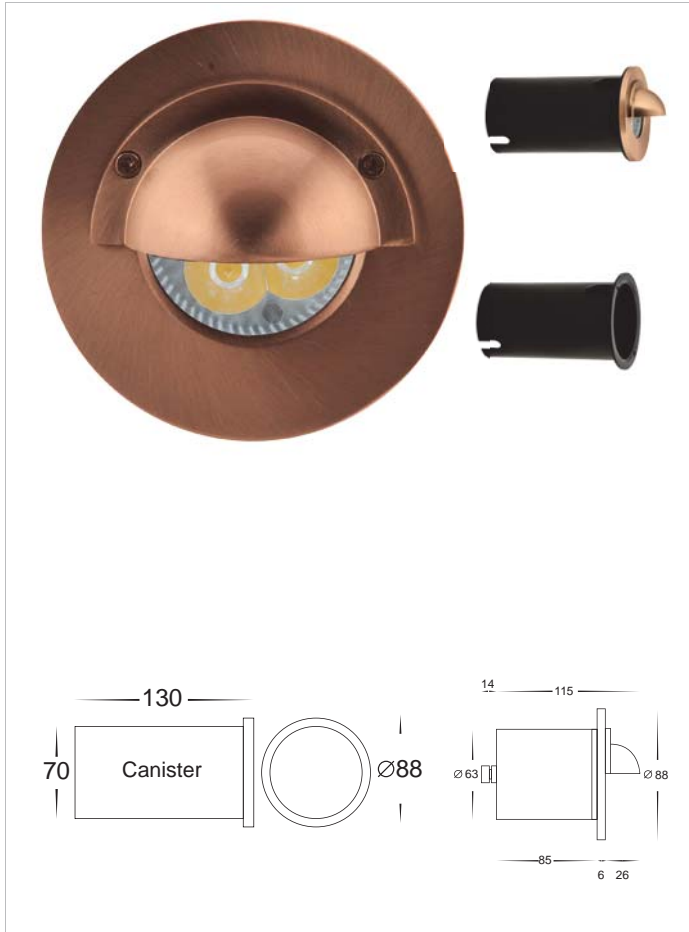


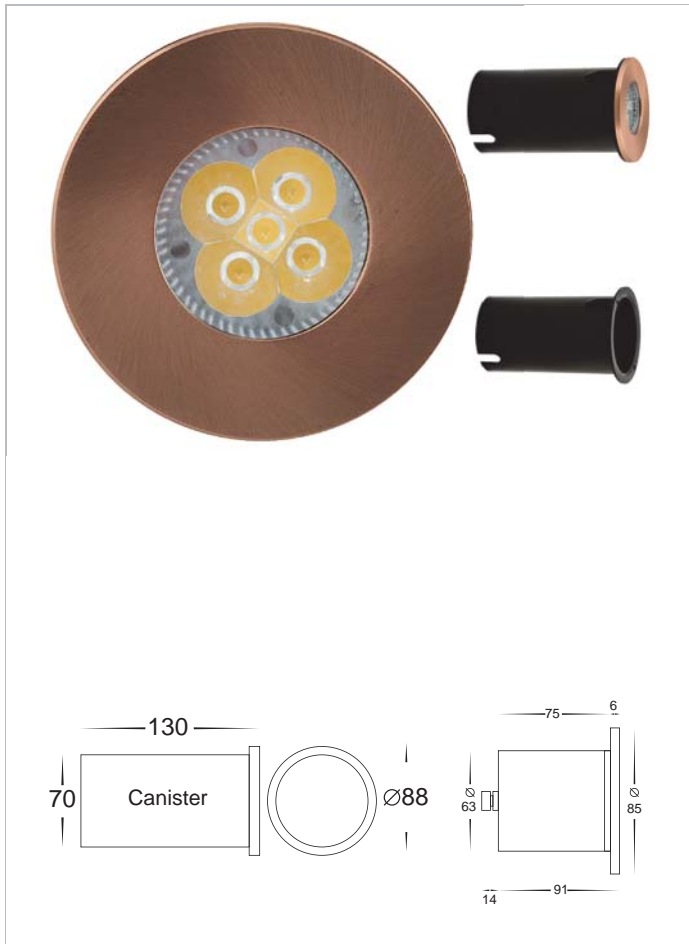
Copper Recessed Steplights



HV1911C 12v LED 5w HV1911W

- Recessed wall/steplight with eyelid copper
- Solid copper face with marine grade 316 stainless steel body
- Tempered glass
- Cut out not using plastic canister: 63mm
- Cut out using plastic canister: 70mm at base
- Installation depth needed: 138mm
- 12v MR16 20w max
- Cool white, 6000k, 300lm (HV1911C)
- Warm white, 3000k, 250lm (HV1911W)
- IP rating: IP65
- Can be used with a halogen globe
- Must be used with a suitable LED driver (Refer to Pages 153-158)

Supplied with a replaceable 5w LED globe



HV1912C 12v LED 5w HV1912W

- Recessed wall/steplight copper
- Solid copper face with marine grade 316 stainless steel body
- Tempered glass
- Cut out not using plastic canister: 63mm
- Cut out using plastic canister: 70mm at base
- Installation depth needed: 138mm
- 12v MR16 20w max
- Cool white, 6000k, 300lm (HV1912C)
- Warm white, 3000k, 250lm (HV1912W)
- IP rating: IP65
- Can be used with a halogen globe
- Must be used with a suitable LED driver (Refer to Pages 153-158)

Supplied with a replaceable 5w LED globe

