

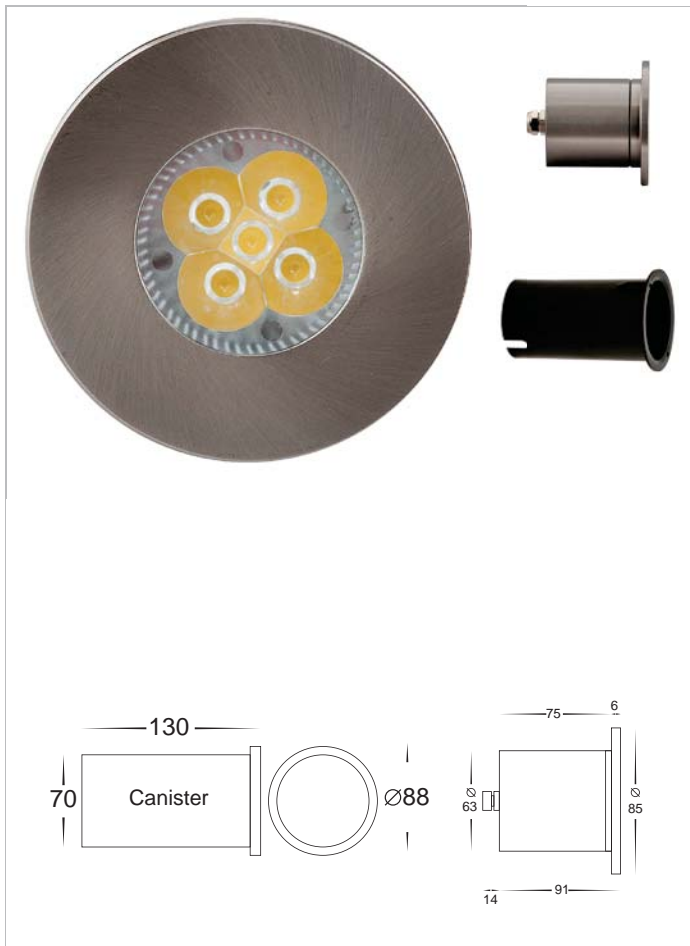
# 316 Stainless Steel Recessed Steplight



## HV1901C 12v LED 5w HV1901W

- Recessed wall/steplight with eyelid
- Stainless steel 316 marine grade full body
- Tempered glass
- Cut out not using plastic canister: 63mm
- Cut out using plastic canister: 70mm at base
- Installation depth needed: 138mm
- 12v MR16 20w max
- Cool white, 6000k, 300lm (HV1901C)
- Warm white, 3000k, 250lm (HV1901W)
- IP rating: IP65
- Can be used with a halogen globe
- Must be used with a suitable LED driver (Refer to Pages 153-158)

**Supplied with a replaceable 5w LED globe**



## HV1902C 12v LED 5w HV1902W

- Recessed wall/steplight
- Stainless steel 316 marine grade full body
- Tempered glass
- Cut out not using plastic canister: 63mm
- Cut out using plastic canister: 70mm at base
- Installation depth needed: 138mm
- 12v MR16 20w max
- Cool white, 6000k, 300lm (HV1902C)
- Warm white, 3000k, 250lm (HV1902W)
- IP rating: IP65
- Can be used with a halogen globe
- Must be used with a suitable LED driver (Refer to Pages 153-158)

**Supplied with a replaceable 5w LED globe**

