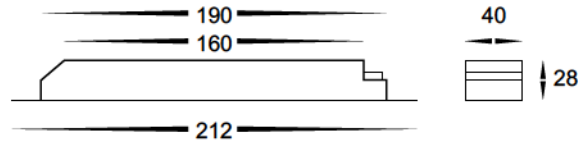


HV9610
HV9611
HV9612

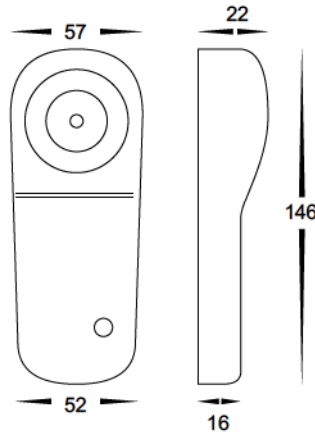


HV9610

LED RGB 8 touch button receiving controller
Suits Ecolamp RGB strip lights
DC 12v 180w max / DC 24v 360w max
Compatible with HV9611 & HV9612 remote control
Must be used with a suitable LED driver (Refer to Pages 173-184)
IP Rating: IP20

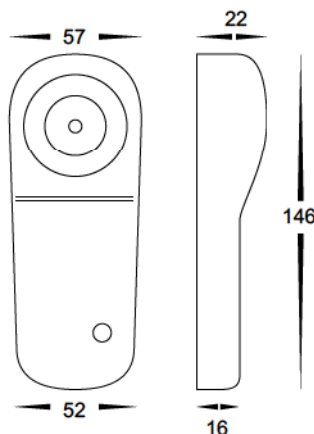


LED Strip Control Equipment



HV9611

LED RGB remote sync controller
Must be used with HV9610 receiving controller
Suits Ecolamp RGB multi-function strip lights
USB Rechargeable
Low power indicator
LED backlit display
Programmable - Choose your own sequence
Transmitting range: 30m approx
Frequency: 2.4GHZ
IP Rating: IP20



HV9612

LED RGB remote sync controller
Must be used with HV9610 receiving controller
Suits Ecolamp RGB multi-function strip lights
USB Rechargeable
Low power indicator
LED backlit display
Programmable - Choose your own sequence
Transmitting range: 30m approx
Can control up to 10 zone
Frequency: 2.4GHZ
IP rating: IP20