
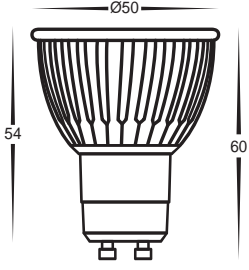

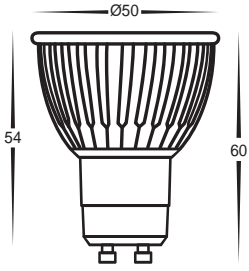

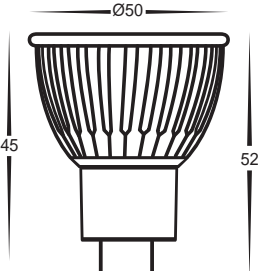

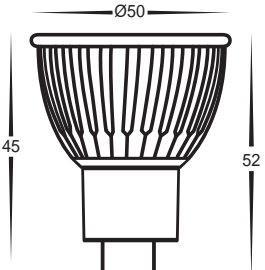


<b>HV9555</b>		<b>LED 240v GU10</b>	
Engineered COB 5w LED globe			
Designed as direct replacement for halogen globe			
Frosted glass diffuser			
60° beam angle			
Warm white, 3000k, 340lm			
Dimmable			
UV radiation free			
Designed to suit most Tivah spotlights			

<b>HV9556</b>		<b>LED 240v GU10</b>	
Engineered COB 5w LED globe			
Designed as direct replacement for halogen globe			
Frosted glass diffuser			
60° beam angle			
Cool white, 6000k, 370lm			
Dimmable			
UV radiation free			
Designed to suit most Tivah spotlights			

<b>HV9557</b>		<b>LED 12v MR16</b>	
Engineered COB 5w LED globe			
60° beam angle			
Warm white, 3000k, 340lm			
UV radiation free			
Designed to suit most Havit spotlights			
Must be used with a suitable LED driver (Refer to Pages 153-158)			

<b>HV9558</b>		<b>LED 12v MR16</b>	
Engineered COB 5w LED globe			
Frosted glass diffuser			
60° beam angle			
Cool white, 6000k, 370lm			
UV radiation free			
Designed to suit most Havit spotlights			
Must be used with a suitable LED driver (Refer to Pages 153-158)			