
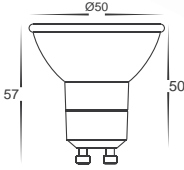

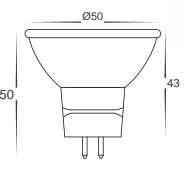

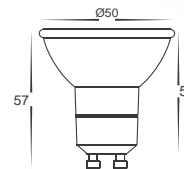

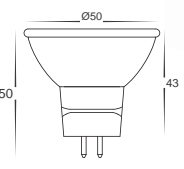


| <b>AAEC9420</b>            |  | <b>LED 240v GU10</b>  |
|----------------------------|--|---|
| Energy saving 3w LED globe |  | <br> |
| 240v GU10 SMD LED          |  |   |
| 120° beam angle            |  |   |
| Cool white, 6000k, 240lm   |  |   |
| UV radiation free          |  |   |

| <b>AAEC9426</b>  |  | <b>LED 12v MR16</b>  |
|--|--|--|
| Energy saving 3w LED globe                                       |  | <br> |
| 12v MR16 SMD LED   |  |  |
| 120° beam angle  |  |  |
| Warm white, 3000k, 200lm   |  |  |
| UV radiation free  |  |  |
| Must be used with a suitable LED driver (Refer to Pages 153-158) |  |  |

| <b>AAEC9320</b>            |  | <b>LED 240v GU10</b>  |
|----------------------------|--|---|
| Energy saving 3w LED globe |  | <br> |
| 240v GU10 SMD LED          |  |   |
| 120° beam angle            |  |   |
| Cool white, 6000k, 240lm   |  |   |
| UV radiation free          |  |   |

| <b>AAEC9326</b>  |  | <b>LED 12v MR16</b>   |
|--|--|---|
| Energy saving 3w LED globe                                       |  | <br> |
| 12v MR16 SMD LED   |  |   |
| 120° beam angle  |  |   |
| Warm white, 3000k, 200lm   |  |   |
| UV radiation free  |  |   |
| Must be used with a suitable LED driver (Refer to Pages 153-158) |  |   |