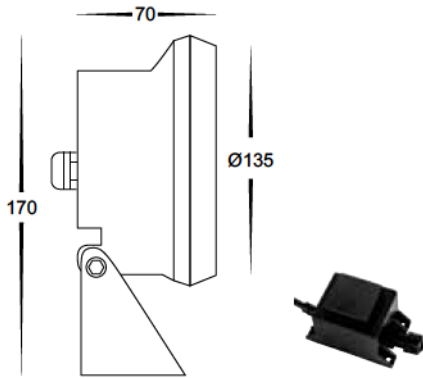


HV3904RGB

12v LED 15w

- Submersible multi-colour function pond light
- Stainless steel 316 marine grade
- 12v built-in LED 15w
- RGB multi-colour function fade mode
- Includes 3m cable
- IP Rating: IP68



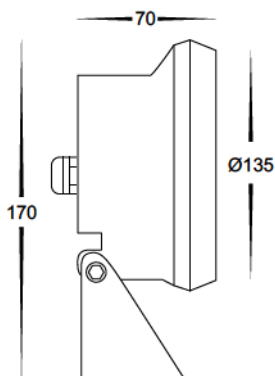
HV3904RGB
HV3904W

**Must be used with an
AC iron core Transformer**

HV3904W

12v LED 15w

- Submersible pond light
- Stainless steel 316 marine grade
- 12v built-in LED 15w
- Warm white, 3000k
- 1260lm
- Includes 3m Cable
- IP Rating: IP68



316 Stainless Steel Submersible Light

All low voltage products that specify LED or are fitted with a 12v LED Globe must be used with a suitable LED driver, refer to Pages 173-184