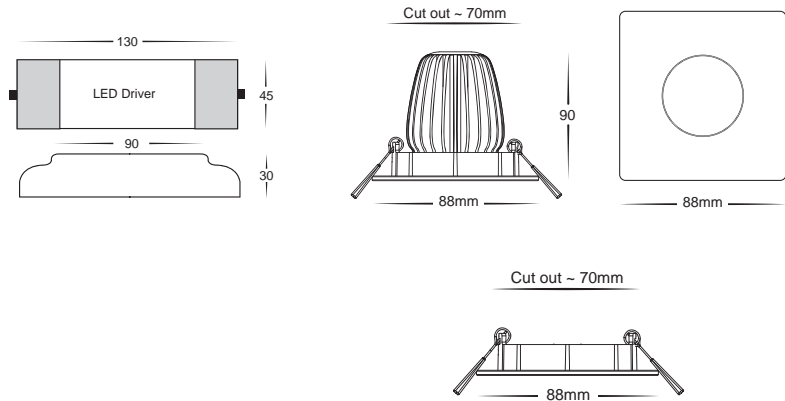





White Square Fixed LED Downlight

- White poly powder coated aluminium
- Kits supplied with LED module, frame and suitable LED driver
- Face: 88mm
- Cut Out: 70mm
- 60° beam angle
- Instant start
- Dimmable with supplied driver



White Square Fixed LED Downlight

IMAGE	PART NUMBER	COLOUR TEMPERATURE	OUTPUT (lm)	POWER	DIMMABLE	INCLUDED GLOBES
	HV5066	NA - Frame Only	NA	NA	NA	NA - Threaded design for mounting of Ecolamp and BTR LED Module. Can be used with standard halogen or LED MR16 Globe
	AAEC5166C	Cool white LED 5000k	750lm	12v LED 15w	YES	Supplied with LED module, frame and suitable LED driver
	AAEC5166W	Warm White LED 3000k	650lm	12v LED 15w	YES	Supplied with LED module, frame and suitable LED driver
	HV5266C	Cool white LED 5000k	960lm	12v LED 17w	YES	Supplied with LED module, frame and suitable LED driver
	HV5266W	Warm White LED 3000k	806lm	12v LED 17w	YES	Supplied with LED module, frame and suitable LED driver