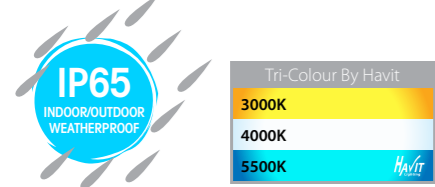


Nova Aluminium Black

- Single adjustable spike spotlight
- Aluminium Poly Powder Coated Black
- Spike length: 170mm
- 1m reinforced cable
- IP Rating: IP65



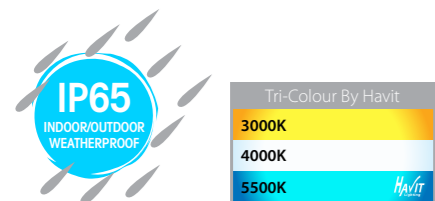
Compatible with Tri-Colour 9in1 3w, 5w, 7w 12v or 24v LED Globe



IMAGE	PART NUMBER	COLOUR TEMP	LUMENS	INPUT	INCLUDED LED
	HV1462T	3000K 4000K 5500K	270lm 285lm 300lm	12v DC	Tri-Colour 5w MR16 LED

Tivah Coloured Aluminium

- Single adjustable spike spotlight
- Titanium Coloured Aluminium
- Spike length: 2 x 238mm (total 476mm)
- 2m reinforced cable
- IP Rating: IP65



Compatible with Tri-Colour 9in1 3w, 5w, 7w 12v or 24v LED Globe

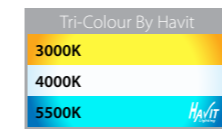


IMAGE	PART NUMBER	COLOUR TEMP	LUMENS	INPUT	INCLUDED LED
	HV1487T	3000K 4000K 5500K	270lm 285lm 300lm	12v DC	Tri-Colour 5w MR16 LED

All low voltage products that specify an input of 12v or 24v DC must be used with a suitable LED driver, refer to pages 267 - 274
Lumen output measured at source. All globes supplied with fittings are non dimmable. If you require 240v dimmable globes refer to page 336

Highlite Aluminium

- Single fixed spike light
- Titanium Coloured Aluminium and Aluminium Poly Powder Coated Black
- High grade perspex reflector lens
- 2m reinforced cable
- Spike length: 400mm
- IP Rating: IP65



Compatible with Tri-Colour 9in1 3w, 5w, 7w 12v or 24v LED Globe



Suitable for use with LED globes only

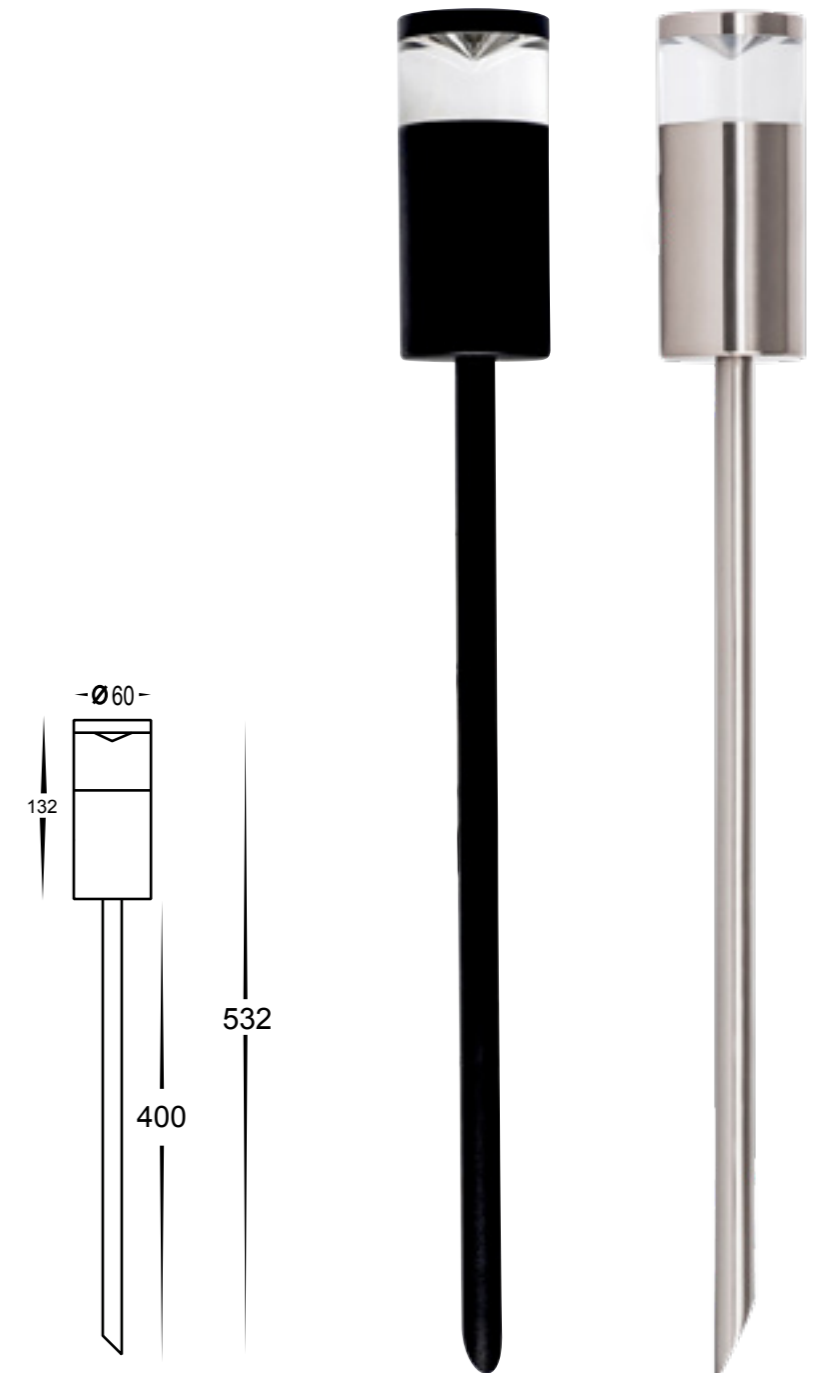


IMAGE	PART NUMBER	COLOUR TEMP	LUMENS	INPUT	INCLUDED LED
	HV1489T-TM	3000K 4000K 5500K	270lm 285lm 300lm	12v DC	Tri-Colour 5w MR16 LED

IMAGE	PART NUMBER	COLOUR TEMP	LUMENS	INPUT	INCLUDED LED
	HV1489T-BLK	3000K 4000K 5500K	270lm 285lm 300lm	12v DC	Tri-Colour 5w MR16 LED

All low voltage products that specify an input of 12v or 24v DC must be used with a suitable LED driver, refer to pages 267 - 274
Lumen output measured at source. All globes supplied with fittings are non dimmable. If you require 240v dimmable globes refer to page 336