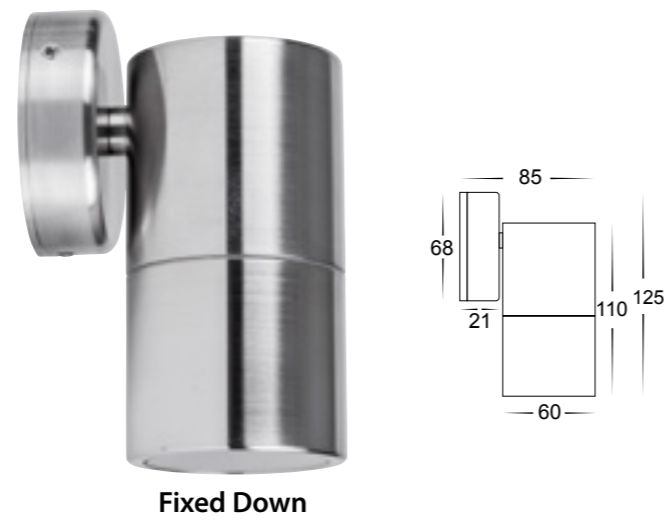
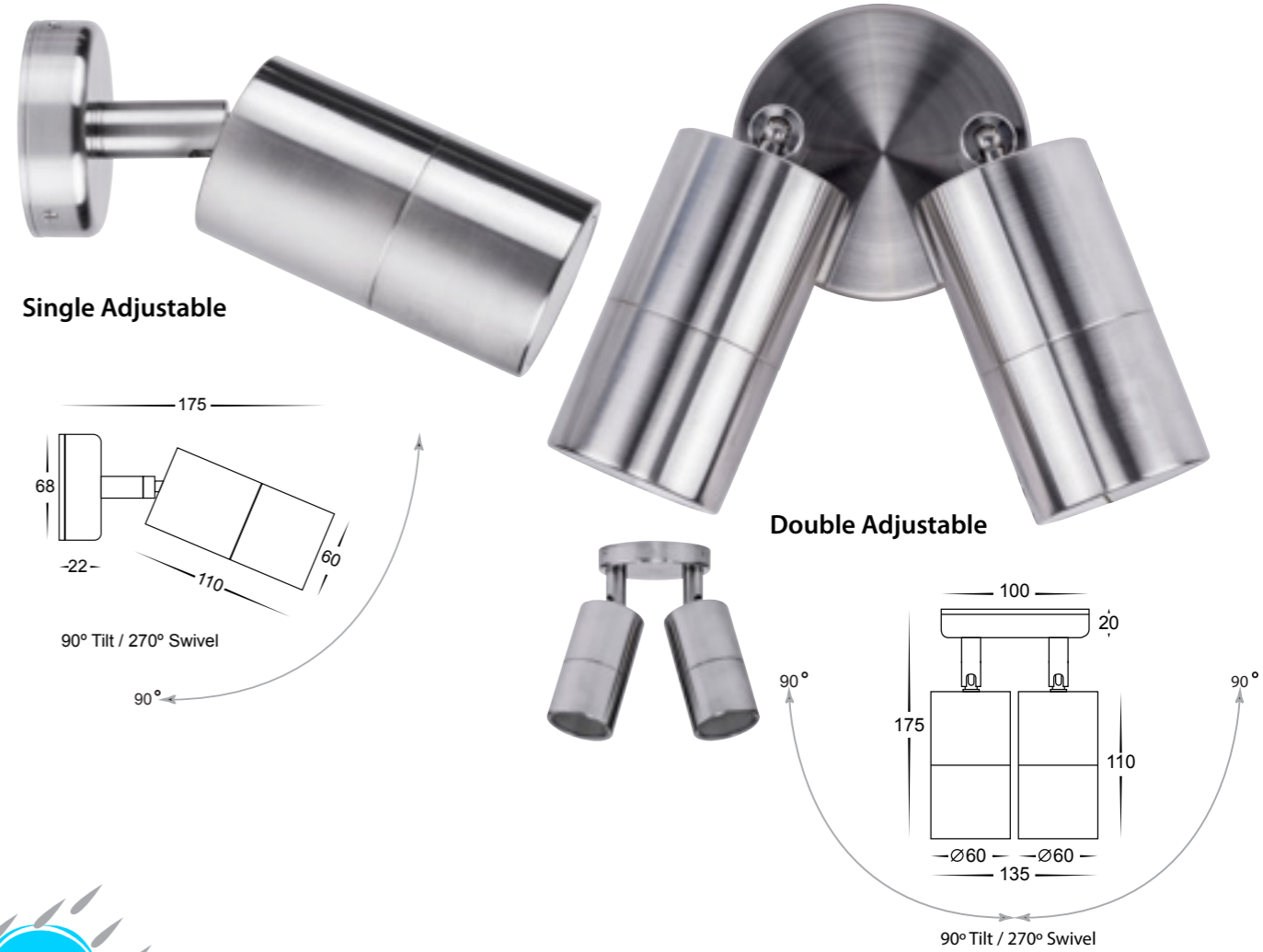


Up & Down

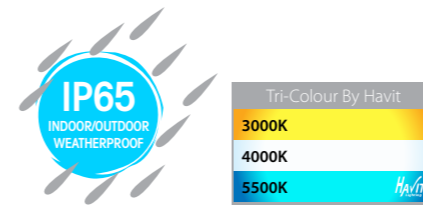
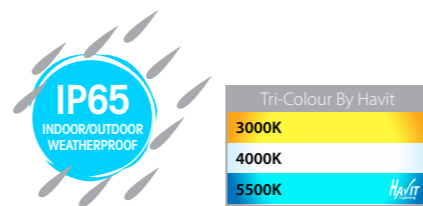


Fixed Down



Tivah 316 Stainless Steel

- Stainless Steel 316 Marine Grade
- Includes a matching stainless steel backing plate
- High output reflector to maximise light
- IP Rating: IP65



| IMAGE | PART NUMBER | COLOUR TEMP | LUMENS | INPUT | INCLUDED LED |
|-------|--------------------|-------------------------|--|--------|--|
| | HV1005T | 3000K 4000K 5500K | 2x 240-560lm 2x 255-595lm 2x 270-630lm | 240v | 9 in 1 Tri-Colour 2x 3/5/7w GU10 LED |
| | HV1007GU10T | 3000K 4000K 5500K | 2x 270lm 2x 285lm 2x 300lm | 240v | Tri-Colour 2x 5w GU10 LED |
| | HV1007MR16T | 3000K 4000K 5500K | 2x 270lm 2x 285lm 2x 300lm | 12v DC | Tri-Colour 2x 5w MR16 LED |
| IMAGE | PART NUMBER | COLOUR TEMP | LUMENS | INPUT | INCLUDED LED |
| | HV1105T | 3000K 4000K 5500K | 240-560lm 255-595lm 270-630lm | 240v | 9 in 1 Tri-Colour 3/5/7w GU10 LED |
| | HV1107GU10T | 3000K 4000K 5500K | 270lm 285lm 300lm | 240v | Tri-Colour 5w GU10 LED |
| | HV1107MR16T | 3000K 4000K 5500K | 270lm 285lm 300lm | 12v DC | Tri-Colour 5w MR16 LED |

All low voltage products that specify an input of 12v or 24v DC must be used with a suitable LED driver, refer to pages 267 - 274
Lumen output measured at source. All globes supplied with fittings are non dimmable. If you require 240v dimmable globes refer to page 336

| IMAGE | PART NUMBER | COLOUR TEMP | LUMENS | INPUT | INCLUDED LED |
|-------|--------------------|-------------------------|--|--------|--|
| | HV1205T | 3000K 4000K 5500K | 240-560lm 255-595lm 270-630lm | 240v | 9 in 1 Tri-Colour 3/5/7w GU10 LED |
| | HV1207GU10T | 3000K 4000K 5500K | 270lm 285lm 300lm | 240v | Tri-Colour 5w GU10 LED |
| | HV1207MR16T | 3000K 4000K 5500K | 270lm 285lm 300lm | 12v DC | Tri-Colour 5w MR16 LED |
| IMAGE | PART NUMBER | COLOUR TEMP | LUMENS | INPUT | INCLUDED LED |
| | HV1305T | 3000K 4000K 5500K | 2x 240-560lm 2x 255-595lm 2x 270-630lm | 240v | 9 in 1 Tri-Colour 2x 3/5/7w GU10 LED |
| | HV1307GU10T | 3000K 4000K 5500K | 2x 270lm 2x 285lm 2x 300lm | 240v | Tri-Colour 2x 5w GU10 LED |
| | HV1307MR16T | 3000K 4000K 5500K | 2x 270lm 2x 285lm 2x 300lm | 12v DC | Tri-Colour 2x 5w MR16 LED |

All low voltage products that specify an input of 12v or 24v DC must be used with a suitable LED driver, refer to pages 267 - 274
Lumen output measured at source. All globes supplied with fittings are non dimmable. If you require 240v dimmable globes refer to page 336