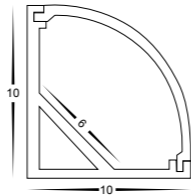


### Corner LED Profile

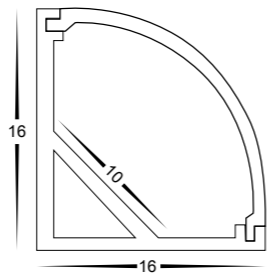
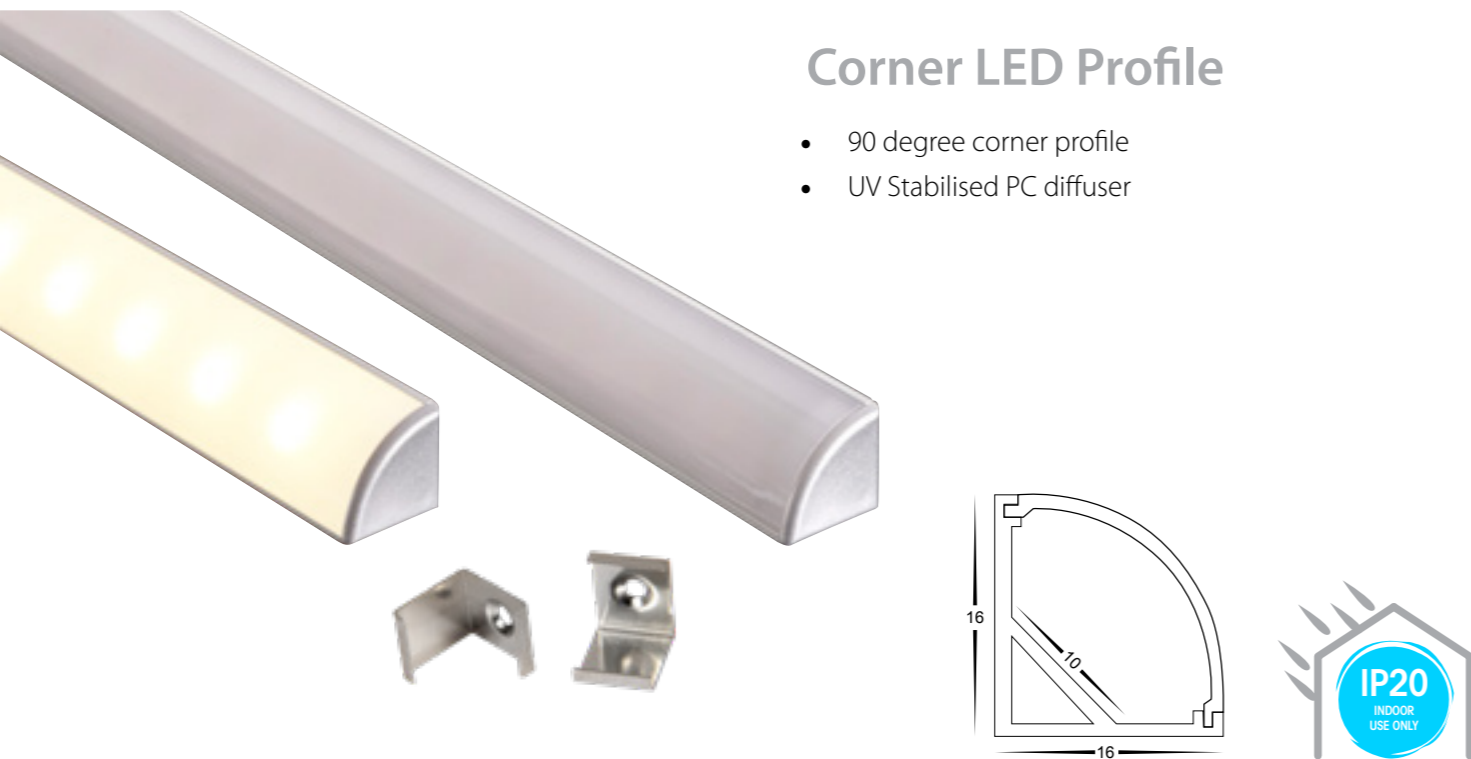
- 90 degree corner profile
- UV Stabilised PC diffuser



PART NUMBER	DESCRIPTION	IP RATING	MAX LENGTH
<b>HV9691-1010</b>	90° Corner Aluminium Profile with Standard Diffuser - Kit - / Metre	IP20	3 metres
<b>HV9691-1010-3M</b>	3m Length includes aluminium, diffuser + 6x end caps & 6x mounting clips	IP20	3 metres

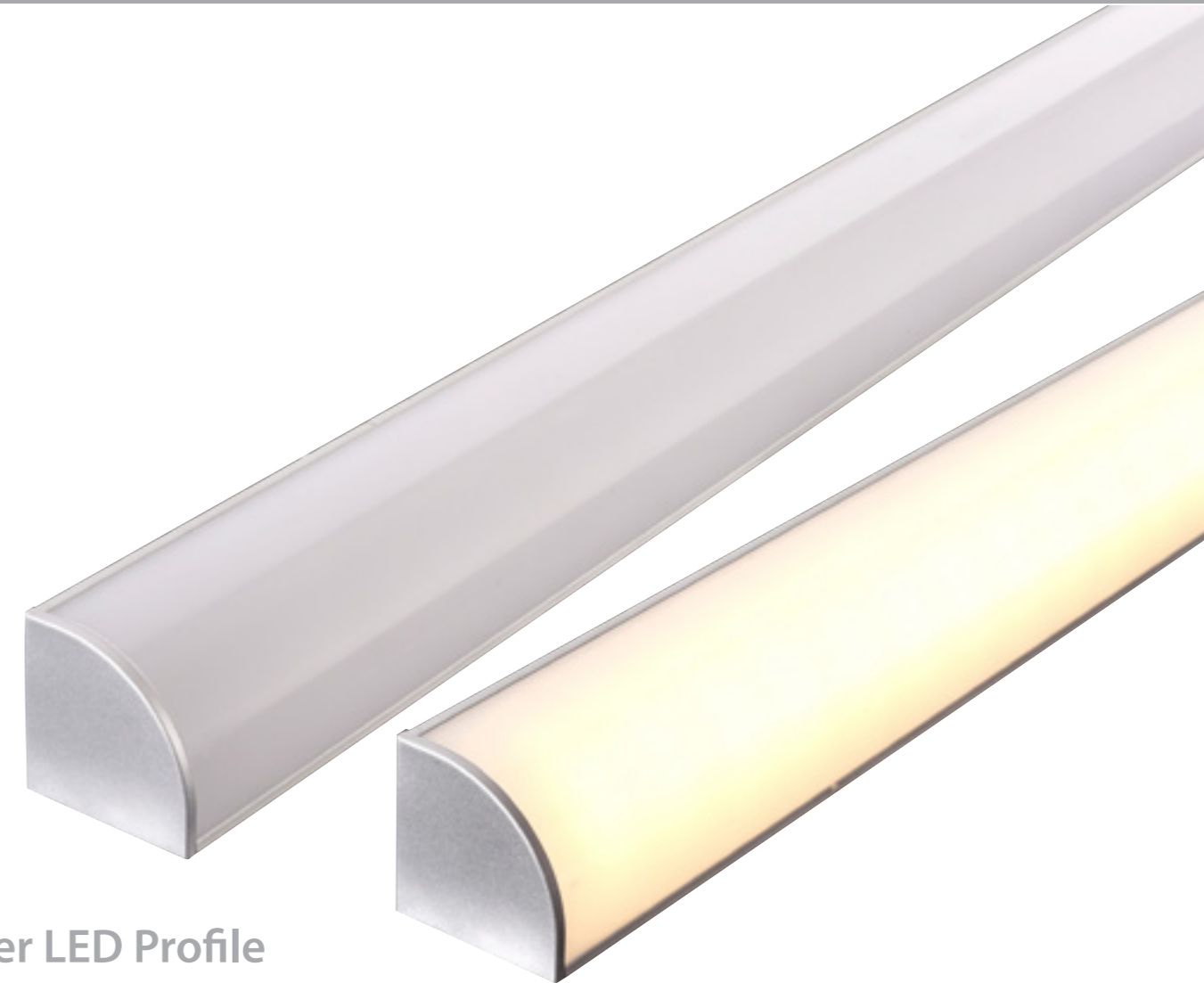
### Corner LED Profile

- 90 degree corner profile
- UV Stabilised PC diffuser



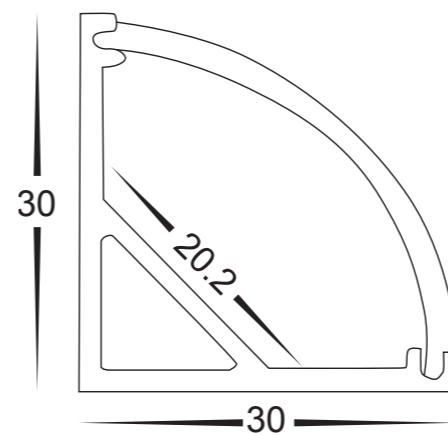
PART NUMBER	DESCRIPTION	IP RATING	MAX LENGTH
<b>HV9691-1616</b>	90° Corner Aluminium Profile with Standard Diffuser - Kit - / Metre	IP20	3 metres
<b>HV9691-1616-3M</b>	3m Length includes aluminium, diffuser + 6x end caps & 6x mounting clips	IP20	3 metres

All low voltage products that specify an input of 12v or 24v DC must be used with a suitable LED driver, refer to pages 267 - 274  
Lumen output measured at source. All globes supplied with fittings are non dimmable. If you require 240v dimmable globes refer to page 336



### Corner LED Profile

- 90 degree corner profile
- UV Stabilised PC diffuser



PART NUMBER	DESCRIPTION	IP RATING	MAX LENGTH
<b>HV9691-3030</b>	90° Corner Aluminium Profile with Standard Diffuser - Kit - / Metre	IP20	3 metres
<b>HV9691-3030-3M</b>	3m Length includes aluminium, diffuser + 6x end caps & 6x mounting clips	IP20	3 metres

All low voltage products that specify an input of 12v or 24v DC must be used with a suitable LED driver, refer to pages 267 - 274  
Lumen output measured at source. All globes supplied with fittings are non dimmable. If you require 240v dimmable globes refer to page 336