

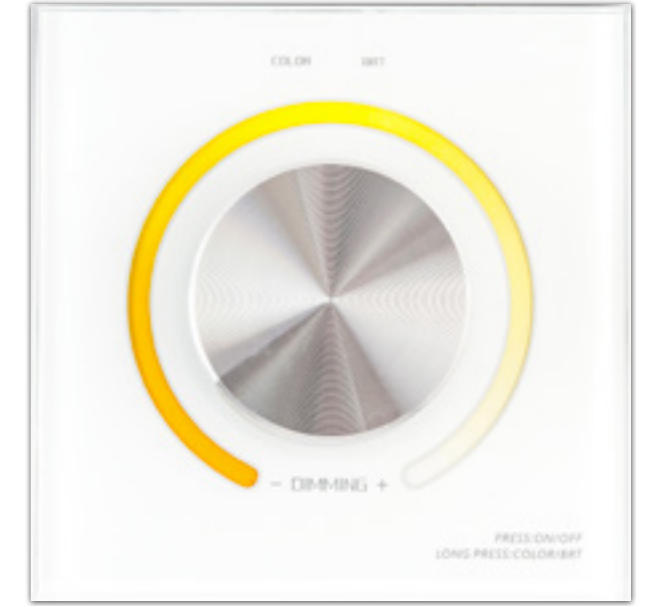


LED Strip Dial Controllers

| IMAGE | PART NUMBER | DESCRIPTION | POWER |
|-------|----------------------|--|----------------------------|
| | HV9101-DX61 | <ul style="list-style-type: none"> Single Colour LED strip Suits Ecolamp Single Colour LED Strip Input Voltage: 240v AC Output Signal: 2.4GHZ + DMX512 Transmitting Range: 30m approx Must be used with HV9103-R4-5A | 240v AC |
| | HV9101-DX62 | <ul style="list-style-type: none"> Colour Temp (CT) LED strip Customise the colour temp to your desire Suits Ecolamp CT LED Strip Input Voltage: 240v AC Output Signal: 2.4GHZ + DMX512 Transmitting Range: 30m approx Must be used with HV9103-R4-5A | 240v AC |
| | HV9101-E6-TD1 | <ul style="list-style-type: none"> Leading edge Triac dimmer For use with Havit dimmable LED drivers. Dimming LEDs: 6-300W  | 240v AC |
| | HV9103-R4-5A | <ul style="list-style-type: none"> Zone receiving controller 4 Channel Input Voltage: 12v DC or 24v DC Frequency: 2.4GHZ | 12v DC 240w 24v DC 480w |



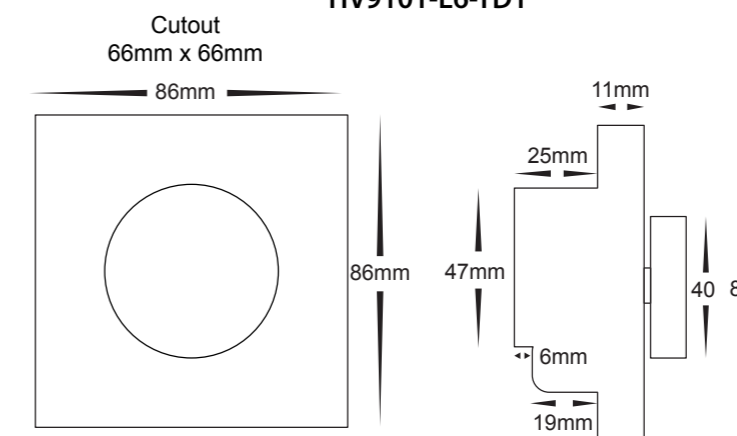
Single Colour
HV9101-DX61



Colour Temp (CT) 3000-5500K
HV9101-DX62



Single Colour Triac
HV9101-E6-TD1



All low voltage products that specify an input of 12v or 24v DC must be used with a suitable LED driver, refer to pages 267 - 274
Lumen output measured at source. All globes supplied with fittings are non dimmable. If you require 240v dimmable globes refer to page 336

All low voltage products that specify an input of 12v or 24v DC must be used with a suitable LED driver, refer to pages 267 - 274
Lumen output measured at source. All globes supplied with fittings are non dimmable. If you require 240v dimmable globes refer to page 336