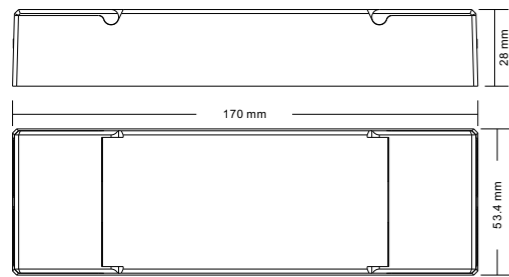




Single Coloured Zigbee LED Controller

- Single Coloured Zigbee LED Controller
- Can be controlled with Zigbee Hub or HV9102-ZB-SCTP or HV9102-ZB-SCREM or HV9101-ZB-5C
- Input Voltage: 12-24V DC
- Output Power: 4CH x 5A (240W-480W)
- Operation frequency 2.4GHZ

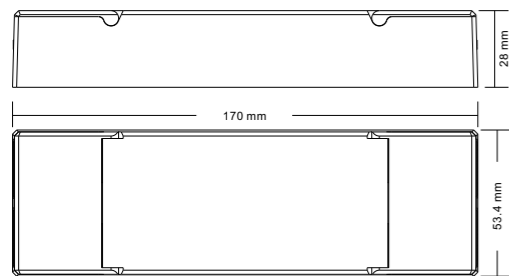


PART NUMBER	DESCRIPTION	IP RATING	POWER
HV9105-ZB-DIM	Single Coloured Zigbee LED Controller	IP20	12-24V DC



RGBW Zigbee LED Controller

- RGBW Zigbee LED Controller
- Can be controlled with Zigbee Hub or HV9102-ZB-RGBW or HV9102-ZB-RGBWREM or HV9101-ZB-5C
- Input Voltage: 12-24V DC
- Output Power: 4CH x 5A (240W-480W)
- Operation frequency 2.4GHZ

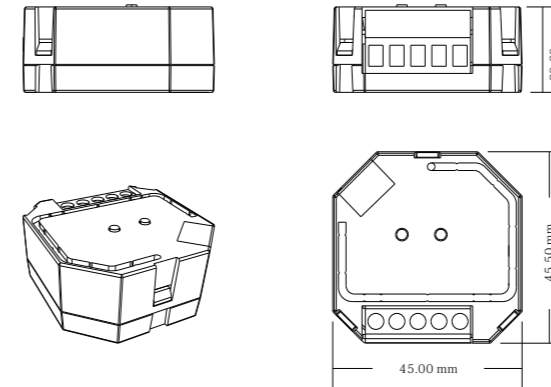


PART NUMBER	DESCRIPTION	IP RATING	POWER
HV9105-ZB-RGBW	RGBW Zigbee LED Controller	IP20	12-24V DC

All low voltage products that specify an input of 12v or 24v DC must be used with a suitable LED driver, refer to pages 267 - 274
Lumen output measured at source. All globes supplied with fittings are non dimmable. If you require 240v dimmable globes refer to page 336

Zigbee Trailing Edge Dimmer Relay

- Zigbee Trailing edge dimmer
- Can be controlled using HV9101-ZB-5C
- Can be used with push dimmer
- Input Voltage: 240v AC
- Output Power: 400W (200w LED)
- Operation frequency 2.4GHZ

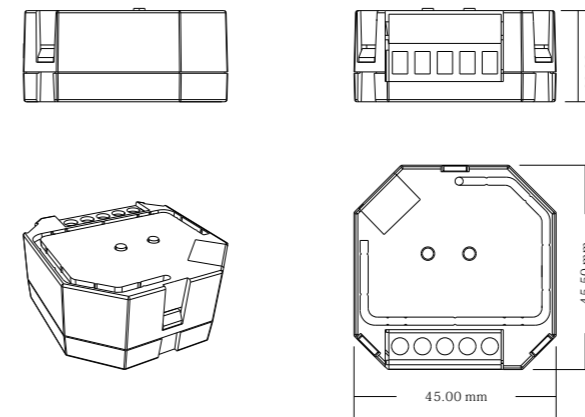


PART NUMBER	DESCRIPTION	IP RATING	POWER
HV9105-ZB-ACDIM	Zigbee Trailing edge dimmer	IP20	240v



Zigbee On-Off Switch Relay

- Zigbee on-off switch
- Can be controlled using HV9101-ZB-5C
- Can be used with push switch
- Input Voltage: 240v AC
- Output Power: 400W (200w LED)
- Operation frequency 2.4GHZ



PART NUMBER	DESCRIPTION	IP RATING	POWER
HV9105-ZB-ACSW	Zigbee on-off switch	IP20	240v



All low voltage products that specify an input of 12v or 24v DC must be used with a suitable LED driver, refer to pages 267 - 274
Lumen output measured at source. All globes supplied with fittings are non dimmable. If you require 240v dimmable globes refer to page 336