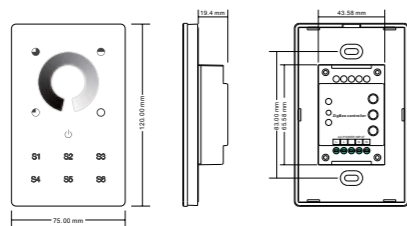


### Zigbee Wall Switch

- Zigbee LED Dimming Controller
- Input Voltage: 3v DC
- Dimming range: 0.1-100%
- Operation Frequency: 2.4GHZ
- Compatible with all Zigbee Receivers

PART NUMBER	DESCRIPTION	IP RATING	POWER
<b>HV9101-ZB-5C</b>	Zigbee LED Dimming Controller	IP20	DC 3v battery (CR2032)

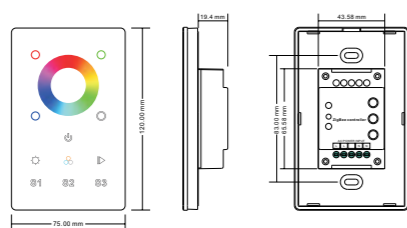
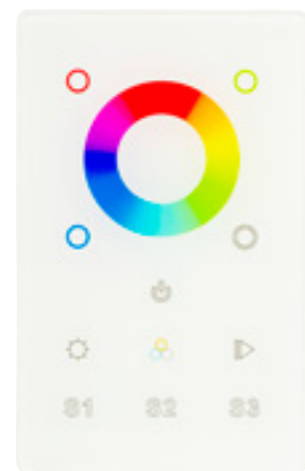


### Single Coloured Zigbee LED Touch Panel

- Single Coloured Zigbee LED Touch Panel
- Compatible with Zigbee Receivers
- Input Voltage: 240 AC
- Preset 25% 50% 75% 100% brightness
- Six Scenes
- Dimming range: 0.1-100%
- Operation Frequency: 2.4GHZ

**Must be used with HV9105-ZB-DIM**

PART NUMBER	DESCRIPTION	IP RATING	POWER
<b>HV9101-ZB-SCTP</b>	Single Coloured Zigbee LED Touch Panel	IP20	240v



### RGBW Zigbee LED Touch Panel

- RGBW Zigbee LED Touch Panel
- Compatible with Zigbee Receivers
- Three scenes
- Input Voltage: 240v AC
- Operation Frequency: 2.4GHZ

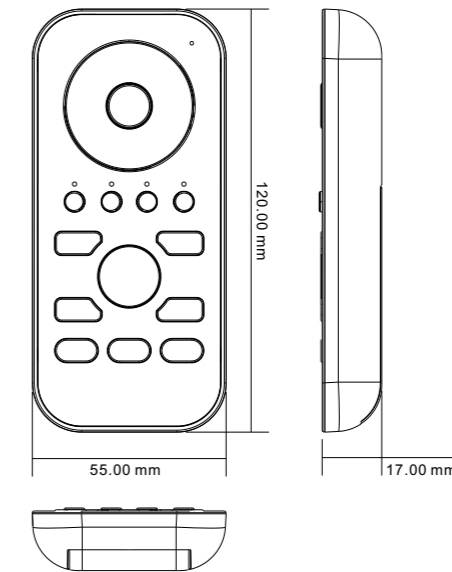
**Must be used with HV9105-ZB-RGBW**

PART NUMBER	DESCRIPTION	IP RATING	POWER
<b>HV9101-ZB-RGBWTP</b>	RGBW Zigbee LED Touch Panel	IP20	240v

All low voltage products that specify an input of 12v or 24v DC must be used with a suitable LED driver, refer to pages 267 - 274  
Lumen output measured at source. All globes supplied with fittings are non dimmable. If you require 240v dimmable globes refer to page 336

### Single Coloured Zigbee LED Remote Control

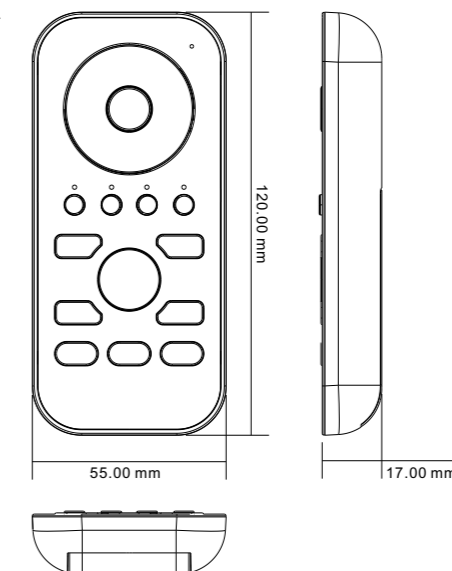
- Single Coloured Zigbee LED Remote Controller
- 4 zones + 3 scenes
- Compatible with Zigbee Receivers
- Input Voltage: 4.5v DC (3x AAA)
- Operation Frequency: 2.4GHZ



PART NUMBER	DESCRIPTION	IP RATING	POWER
<b>HV9102-ZB-SCREM</b>	Single Coloured Zigbee LED Remote Controller	IP20	4.5v DC (3x AAA)

### RGBW Zigbee LED Remote Control

- RGBW Zigbee LED Remote Controller
- Compatible with Zigbee Receivers
- Three scenes
- Input Voltage: 4.5v DC (3x AAA)
- Operation Frequency: 2.4GHZ



PART NUMBER	DESCRIPTION	IP RATING	POWER
<b>HV9102-ZB-RGBWREM</b>	RGBW Zigbee LED Remote Controller	IP20	4.5v DC (3x AAA)

All low voltage products that specify an input of 12v or 24v DC must be used with a suitable LED driver, refer to pages 267 - 274  
Lumen output measured at source. All globes supplied with fittings are non dimmable. If you require 240v dimmable globes refer to page 336