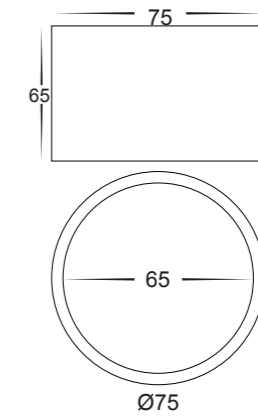
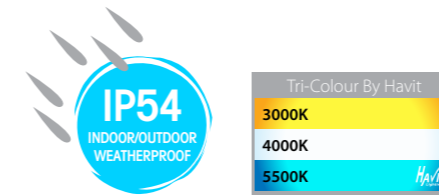


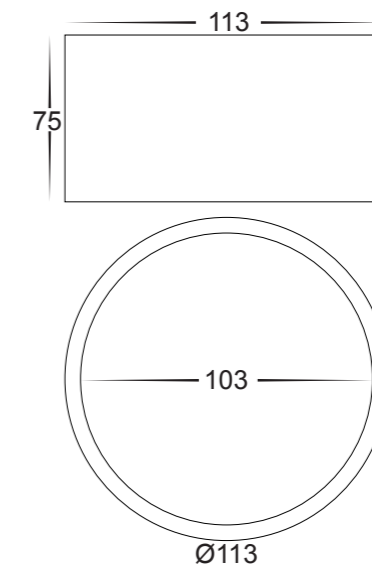
IMAGE	PART NUMBER	COLOUR TEMP	LUMENS	INPUT	INCLUDED LED
	HV5802T-WHT	3000K 4000K 5500K	560lm 595lm 630lm	240v	Tri-Colour Built-in 7w LED
	HV5802-WHT-EXT	Extension to suit HV5802-WHT Range		128 	HV5802-WHT-EXT + HV5802T-WHT
IMAGE	PART NUMBER	COLOUR TEMP	LUMENS	INPUT	INCLUDED LED
	HV5803T-WHT	3000K 4000K 5500K	960lm 1020lm 1080lm	240v	Tri-Colour Built-in 12w LED
	HV5803-WHT-EXT	Extension to suit HV5803-WHT Range		140 	HV5803-WHT-EXT + HV5803-WHT
IMAGE	PART NUMBER	COLOUR TEMP	LUMENS	INPUT	INCLUDED LED
	HV5805T-WHT	3000K 4000K 5500K	1440lm 1540lm 1620lm	240v	Tri-Colour Built-in 18w LED
	HV5805-WHT-EXT	Extension to suit HV5805-WHT Range		152 	HV5805-WHT-EXT + HV5805-WHT

Nella Aluminium White

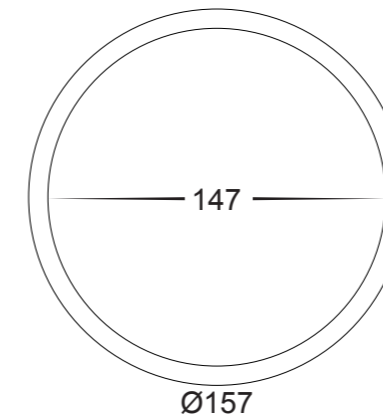
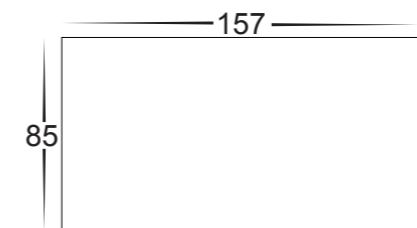
- Surface mounted round downlight
- Aluminium Powder Coated White
- Dimmable
- 120° beam angle
- IP Rating: IP54



HV5802T-WHT



HV5803T-WHT



HV5805T-WHT

All low voltage products that specify an input of 12v or 24v DC must be used with a suitable LED driver, refer to pages 267 - 274
Lumen output measured at source. All globes supplied with fittings are non dimmable. If you require 240v dimmable globes refer to page 336

All low voltage products that specify an input of 12v or 24v DC must be used with a suitable LED driver, refer to pages 267 - 274
Lumen output measured at source. All globes supplied with fittings are non dimmable. If you require 240v dimmable globes refer to page 336