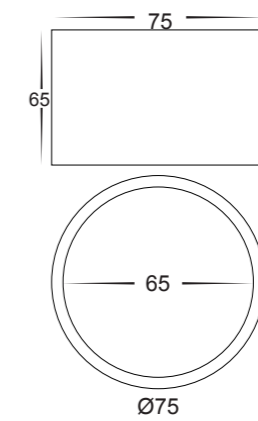
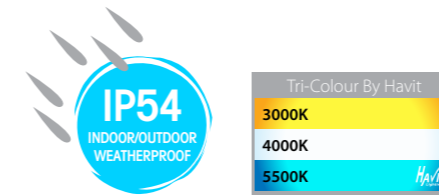


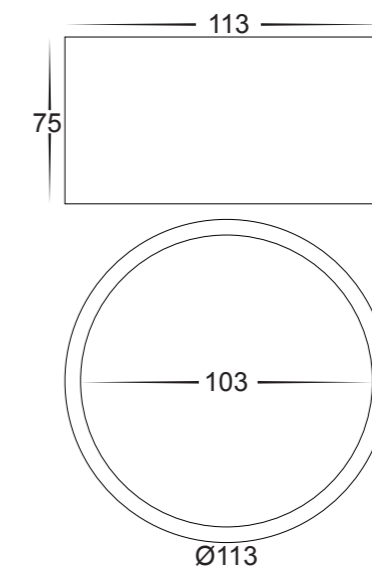
| IMAGE | PART NUMBER | COLOUR TEMP | LUMENS | INPUT | INCLUDED LED |
|-------|-----------------------|--|----------------------------|-------|--|
| | HV5802T-BLK | 3000K 4000K 5500K | 560lm 595lm 630lm | 240v | Tri-Colour Built-in 7w LED |
| | HV5802-BLK-EXT | Optional Extension to suit HV5802T-BLK Sold separately | | 128 | HV5802-BLK-EXT + HV5802T-BLK |
| IMAGE | PART NUMBER | COLOUR TEMP | LUMENS | INPUT | INCLUDED LED |
| | HV5803T-BLK | 3000K 4000K 5500K | 960lm 1020lm 1080lm | 240v | Tri-Colour Built-in 12w LED |
| | HV5803-BLK-EXT | Optional Extension to suit HV5803T-BLK Sold separately | | 140 | HV5803-BLK-EXT + HV5803T-BLK |
| IMAGE | PART NUMBER | COLOUR TEMP | LUMENS | INPUT | INCLUDED LED |
| | HV5805T-BLK | 3000K 4000K 5500K | 1440lm 1540lm 1620lm | 240v | Tri-Colour Built-in 18w LED |
| | HV5805-BLK-EXT | Optional Extension to suit HV5805T-BLK Sold separately | | 152 | HV5805-BLK-EXT + HV5805T-BLK |

Nella Aluminium Black

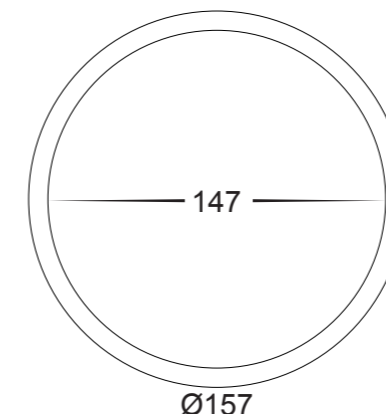
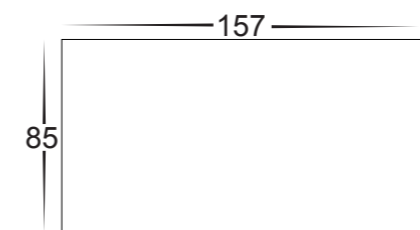
- Surface mounted round downlight
- Aluminium Powder Coated Black
- Dimmable
- 120° beam angle
- IP Rating: IP54



HV5802T-BLK



HV5803T-BLK



HV5805T-BLK

All low voltage products that specify an input of 12v or 24v DC must be used with a suitable LED driver, refer to pages 267 - 274
Lumen output measured at source. All globes supplied with fittings are non dimmable. If you require 240v dimmable globes refer to page 336

All low voltage products that specify an input of 12v or 24v DC must be used with a suitable LED driver, refer to pages 267 - 274
Lumen output measured at source. All globes supplied with fittings are non dimmable. If you require 240v dimmable globes refer to page 336