

IMAGE	PART NUMBER	COLOUR TEMP	LUMENS	INPUT	INCLUDED LED
	HV2901	NA	NA	240v	No globes supplied
	HV2902	NA	NA	12v	No globes supplied
	HV2903T	3000K 4000K 5500K	160lm 170lm 180lm	240v	Tri-Colour Built-in 2.3w LED
	HV2904T	3000K 4000K 5500K	160lm 170lm 180lm	12v DC	Tri-Colour Built-in 2.3w LED

IMAGE	PART NUMBER	COLOUR TEMP	LUMENS	INPUT	INCLUDED LED
	HV2901-AB	NA	NA	240v	No globes supplied
	HV2902-AB	NA	NA	12v	No globes supplied
	HV2903T-AB	3000K 4000K 5500K	160lm 170lm 180lm	240v	Tri-Colour Built-in 2.3w LED
	HV2904T-AB	3000K 4000K 5500K	160lm 170lm 180lm	12v DC	Tri-Colour Built-in 2.3w LED

IMAGE	PART NUMBER	COLOUR TEMP	LUMENS	INPUT	INCLUDED LED
	HV2905T-12V	3000K 4000K 5500K	160lm 170lm 180lm	12v DC	Tri-Colour Built-in 2.3w LED

OPTIONAL GLOBES

Optional G9 LED globe HV9511W to suit HV2901



Optional G4 LED globe HV9529-3.2w to suit HV2902



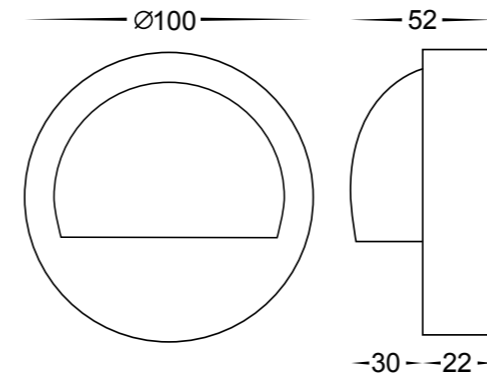
All low voltage products that specify an input of 12v or 24v DC must be used with a suitable LED driver, refer to pages 267 - 274
Lumen output measured at source. All globes supplied with fittings are non dimmable. If you require 240v dimmable globes refer to page 336

Pinta

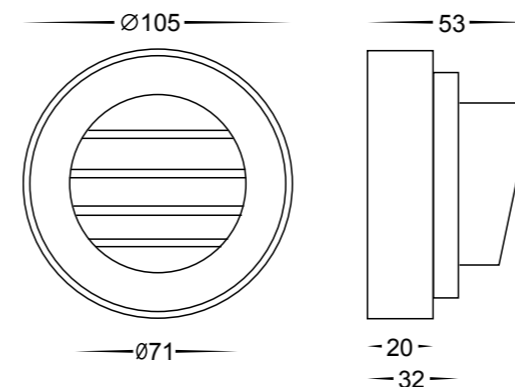
- Surface mounted louvred & eyelid step light
- Full Body Stainless Steel 316 Marine Grade & Solid Brass With Antique Brass Finish
- Tempered glass
- IP Rating: IP65



316 Stainless Steel



Antique Brass



316 Stainless Steel

All low voltage products that specify an input of 12v or 24v DC must be used with a suitable LED driver, refer to pages 267 - 274
Lumen output measured at source. All globes supplied with fittings are non dimmable. If you require 240v dimmable globes refer to page 336