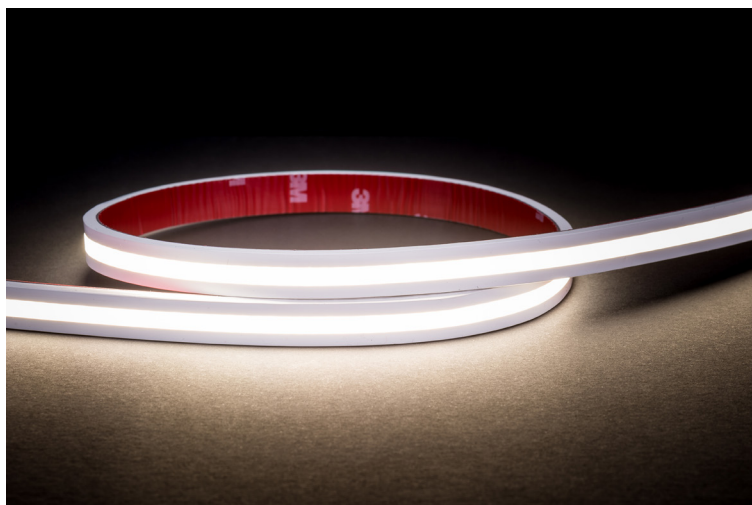


14.4w IP67 24v DC 4000K LED Strip

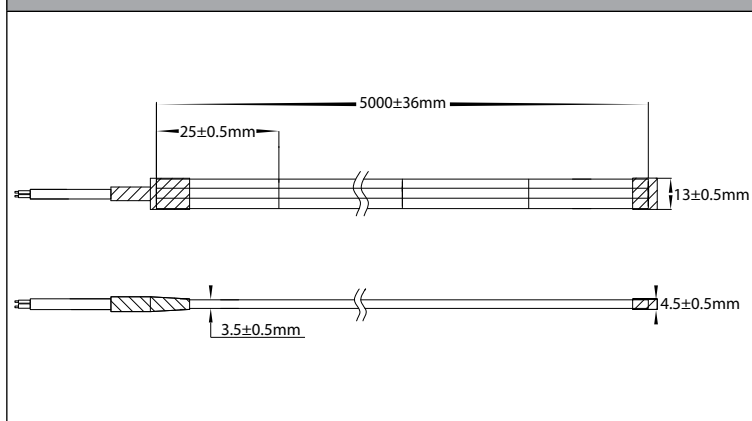


PRODUCT SPECIFICATIONS

Watts Per Metre	14.4w
Input Voltage	24v DC
Colour Temp	4000K
Beam Angle	120°
IP Rating	IP67
Size	13mm (W) x 4mm (H)
PCB	3oz
CRI	>90
Wiring	Parallel
Dimmable	Yes
LED Chip Type	2220
No. Chips Per Metre	280
Lumens Per Metre	1300lm
Maximum Length	5000mm
Cutting Increments	Every 25mm
Mounting	Aluminium Profile or Heat Sink
Warranty	2 Years Replacement



DIMENSIONS



APPROVAL

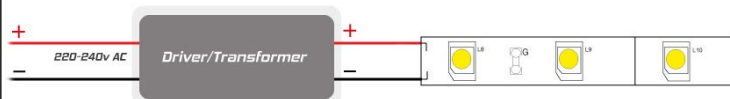


IP RATING

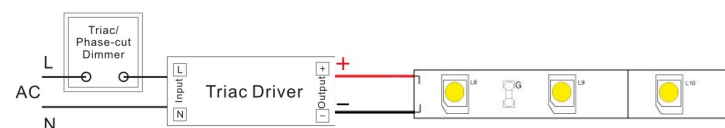


SAMPLE WIRING DIAGRAMS

Non Dimmable



Triac Dimmable



PRODUCT ORDERING

IMAGE	PART NUMBER
	HV9769-IP67-280-4K

For More Information Contact Havit Lighting

143 Beauchamp Road
Matraville NSW 2036
Australia

Tel: 02 9381 8300
Fax: 02 9666 888
Email: sales@havit.com.au
Web: www.havit.com.au