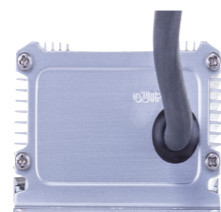
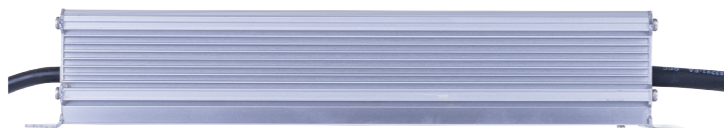


# 150w IP66 High Power Factor Weatherproof LED Driver

<b>Material</b>	Aluminium
<b>Colour</b>	Silver
<b>IP Rating</b>	IP66
<b>Input Voltage</b>	240v AC
<b>Output Voltage</b>	Available in either 12v DC or 24v DC
<b>Max Wattage</b>	150w (Recommended Max Wattage = 120w)
<b>Protection Class</b>	1 (Earth Required)
<b>Wiring</b>	Parallel
<b>No. Output Cables</b>	1
<b>Protections</b>	Short Circuit, Overload, Over Temperature
<b>Warranty</b>	3 Years Replacement

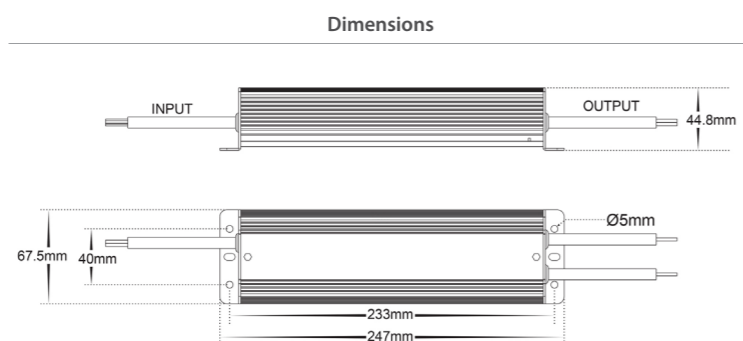


## Product Ordering

Part Number	Output Voltage	Barcode
<b>HV9658-12V150W</b>	12v DC Constant Voltage	9350418008039
<b>HV9658-24V150W</b>	24v DC Constant Voltage	9350418008046



Website Warranty  
Terms & Conditions



Compatible with  
All Low Voltage Light Fittings

LED Strip Lighting

Garden Lighting

Step Lighting  
& more +

	HV9658-12V150W	HV9658-24V150W	
<b>Output</b>	DC Voltage	12v DC	24v DC
	Voltage Tolerance	± 4V	± 2V
	Rated Current	12.5A	6.25A
	Rated Power	150W	
	Line Regulation	± 1%	
	No. Output Cables	1	
	Set up time	2000ms, 50ms(at full load) 110V AC / 230V AC	
<b>Input</b>	Holding time (Typ.)	15ms(at full load) 110V AC / 230V AC	
	Ripple and Noise(max)	120mVp-p	240mVp-p
	Load Regulation	± 2%	
	Voltage range Note 2	170~264V AC	
	Frequency Range	47 - 63Hz	
	Power Factor (TYP.) @ Full Load	PF ≥ 0.90 / 230V (at full load)	
	Efficiency(Typ.)@ Full Load	89.5%	90.5%
	AC Current (Max)	1.0A / 230V AC	
	Inrush Current (TYP)	Cold start: 50A / 230V AC	
	Leakage Current	<0.75mA / 240V AC	
<b>Protections</b>	Short Circuit	Hiccup mode, Recover automatically after fault condition is removed	
	Overload	110% - 130% of the rated output power	
	Over Temperature	Ta: 55°C ~ 65°C	
	Over Voltage	13-18V	24.5-35V
<b>Environment</b>	Working Temp.	Ta: -25°C ~ +50°C	
	Working Humidity	10%~90% RH, non-condensing	
	Storage TEMP. Humidity	-25°C ~+75°C, 5%~95% RH	
	TEMP. Coefficient	± 0.05%/°c (0-40°c)	
	Vibration	10~300Hz, 1G 10min/ 1 Cycle, Period for 60min, each along X,Y,Z axes	
<b>Safety &amp; EMC</b>	Safety Standards	Compliance to EN61347-1, EN61347-2-13, AS/NZS61347-1, IP66 waterproof rating.	
	Isolation Resistance	I/P-O/P, I/P-FG, O/P-FG: 100Mohms/500Vdc 25°C /70%RH	
	Withstand voltage	I/P-O/P: 3.75KVAC I/P-FG: 1.875KVAC O/P-FG: 0.5kVAC	
	EMC Emission	Compliance to AS/NZS CISPR15	
EMC Immunity	Compliance to AS/NZS CISPR15		

Havit Lighting 143 Beauchamp Road, Matraville, N.S.W. 2036 | Phone: 02 9381 8300 |  
Fax: 02 9381 6661 | Email: sales@havit.com.au | Web: www.havit.com.au



Havit Lighting 143 Beauchamp Road, Matraville, N.S.W. 2036 | Phone: 02 9381 8300 |  
Fax: 02 9381 6661 | Email: sales@havit.com.au | Web: www.havit.com.au