

# LED Strip Sensors

<b>Material</b>	Plastic
<b>Colour</b>	Black
<b>IP Rating</b>	IP20
<b>Input Voltage</b>	12-24v DC
<b>IK Rating</b>	IK04
<b>Max Wattage</b>	See Table
<b>Dimmable</b>	See Table
<b>Dimming Range</b>	5-100%
<b>Cable Length</b>	2000mm
<b>Cut Out</b>	Ø12
<b>Warranty</b>	3 Years Replacement*



HV9281 Touch Sensor



HV9282 Hand Wave Sensor



HV9283 Single Door Sensor



HV9284 PIR Sensor



HV9285 Dual Touch Sensor



HV9286 Dual Door Sensor

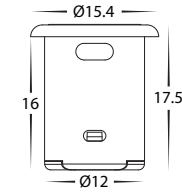
Surface Mounting Base



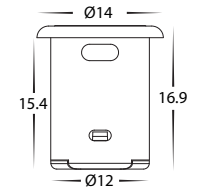
Plug & Play Connector



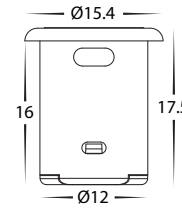
HV9281 Dimensions



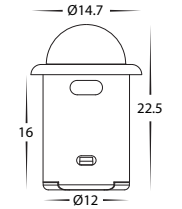
HV9282 + HV9285 Dimensions



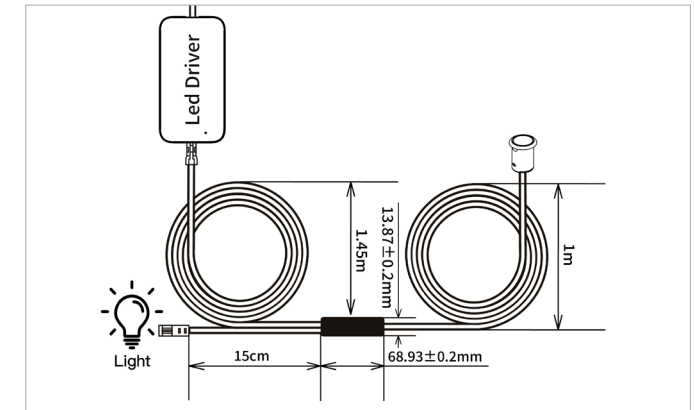
HV9283 + HV9286 Dimensions



HV9284 Dimensions



Sample Wiring Diagram



## Product Ordering

Image	Part Number	Input Voltage	Max Load	Detection Range	Dimmable	Barcode
	HV9281	12v-24v DC	12v DC = 36w 24v DC = 72w	N/A	Yes	9350418041555
	HV9282	12v-24v DC	12v DC = 36w 24v DC = 72w	1-5cm	Yes	9350418041562
	HV9283	12v-24v DC	12v DC = 36w 24v DC = 72w	1-5cm	No	9350418041579
	HV9284	12v-24v DC	12v DC = 36w 24v DC = 72w	0.2-2.5m @ 120°	No	9350418041586
	HV9285	12v-24v DC	12v DC = 36w 24v DC = 72w	N/A	Yes	9350418041593
	HV9286	12v-24v DC	12v DC = 36w 24v DC = 72w	1-5cm	No	9350418041609

Sample Installation Diagram

