

PRODUCT SPECIFICATIONS

Product Code: HV9102-SPI-16+M16-3A

Material: Plastic

Colour: White

IP Rating: IP20

Dimmable: Yes

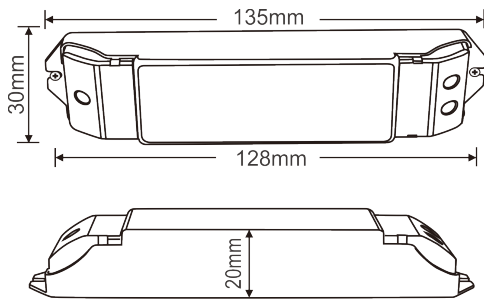
Output Signal: 2.4ghz

Transmitting Range: Up to 30m

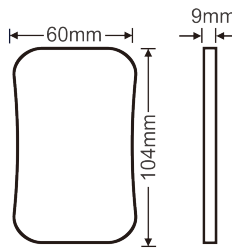
Input Voltage: 12v DC or 24v DC

Power: 12v DC 108w/ 24v DC 216w

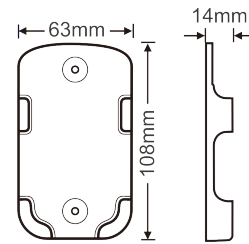
Warranty: 2 years replacement*



Controller



Remote



Remote Holder



Sample wiring diagram

* See Warranty Terms and Conditions for more information