

# Prime Aluminium

## Recessed Fixed Deep WIFI CCT LED Downlight

<b>Name</b>	Prime
<b>Material</b>	Aluminium
<b>Colour</b>	Antique Brass, Black, Brass, Copper, Nickel & White
<b>Cut Out</b>	Ø90mm
<b>IP Rating</b>	IP54 (Front of fitting only)
<b>Colour Temp</b>	2700k - 6500k Adjustable using APP
<b>IK Rating</b>	IK06
<b>Installation Type</b>	Ceiling - Recessed
<b>Diffuser Type</b>	Clear Glass
<b>Tilt</b>	No
<b>Lamp Base</b>	Built in LED
<b>Max Wattage</b>	12w
<b>Protection Class</b>	2 (No Earth Required)
<b>Lamp Expectancy</b>	<50,000hrs*
<b>IC Rated</b>	IC-4
<b>CRI</b>	CRI>90
<b>SDCM</b>	<4
<b>UGR</b>	<22
<b>Flex &amp; Plug</b>	Yes - Included
<b>Dimmable</b>	Yes - Using TUYA APP
<b>Warranty</b>	3 Years Replacement*



Antique Brass



Black



Brass Coloured



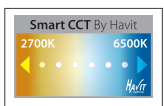
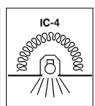
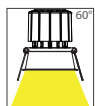
Copper Coloured



Nickel Coloured



White



Warranty  
Terms & Conditions

Website



Compatible with major  
smart home systems.



HaviSMART™



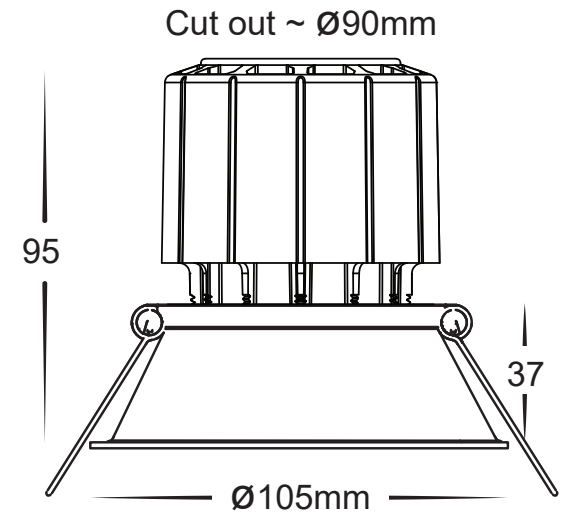
Havit Lighting 143 Beauchamp Road, Matraville, N.S.W. 2036 | Phone: 02 9381 8300 | Fax: 02 9381 6661 | Email: sales@havit.com.au | Web: www.havit.com.au

\*See Warranty Terms & Conditions for more information

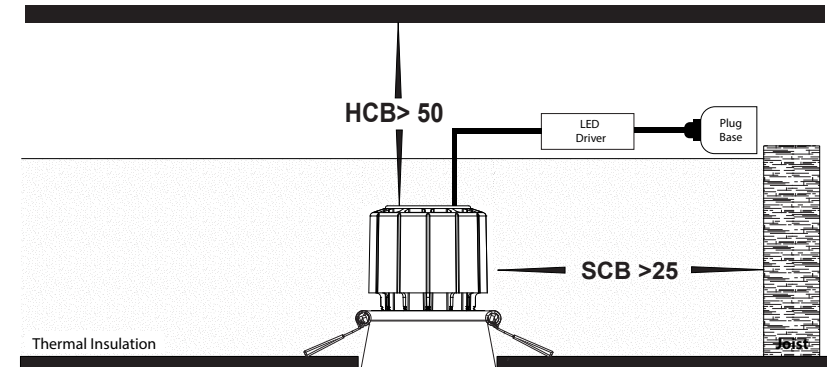
## Product Ordering

Image	Part Number	Colour Temp	Lumens	Input Voltage	Beam Angle	Included LED	Barcode
	HV5514CCT-AB	2700K - 6500K	815lm - 865lm	240v	60°	<b>CCT</b> 12w Built in LED	9350418034441
	HV5514CCT-BLK						9350418026842
	HV5514CCT-BR						9350418034458
	HV5514CCT-CP						9350418034465
	HV5514CCT-NK						9350418034472
	HV5514CCT-WHT						9350418026835

## Dimensions



## Installation Diagram



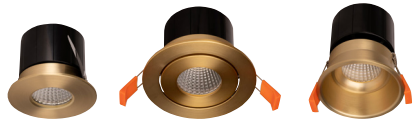
## Related Products



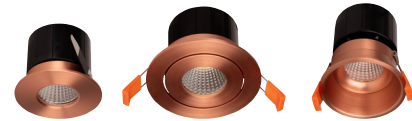
Antique Brass



Black



Brass Coloured



Copper Coloured

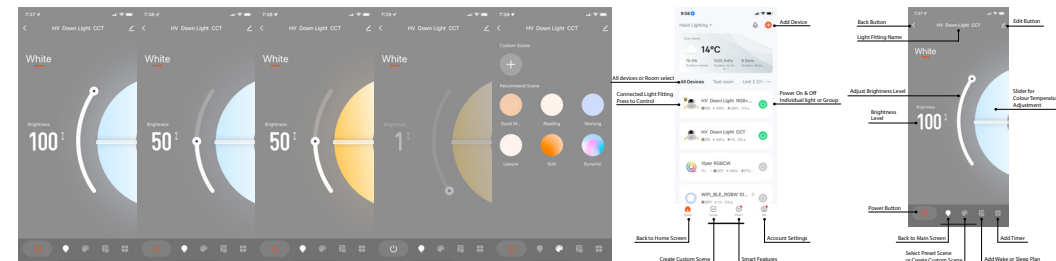


Nickel Coloured



White

## APP Screenshots



Havit Lighting 143 Beauchamp Road, Matraville, N.S.W. 2036 | Phone: 02 9381 8300 | Fax: 02 9381 6661 | Email: sales@havit.com.au | Web: www.havit.com.au