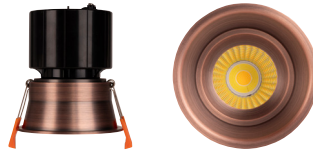
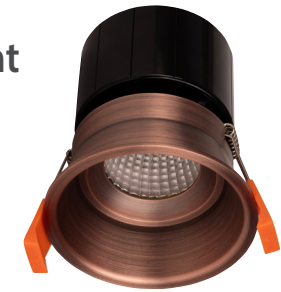


Prime Aluminium

Recessed Fixed Deep WIFI CCT LED Downlight

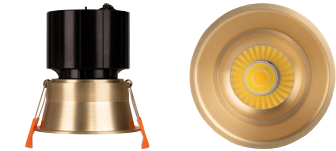
Name	Prime
Material	Aluminium
Colour	Antique Brass, Black, Brass, Copper, Nickel & White
Cut Out	Ø76mm
IP Rating	IP54 (Front of fitting only)
Colour Temp	2700k - 6500k Adjustable using APP
IK Rating	IK06
Installation Type	Ceiling - Recessed
Diffuser Type	Clear Glass
Tilt	No
Lamp Base	Built in LED
Max Wattage	12w
Protection Class	2 (No Earth Required)
Lamp Expectancy	<50,000hrs*
IC Rated	IC-4
CRI	CRI>90
SDCM	<4
UGR	<22
Flex & Plug	Yes - Included
Dimmable	Yes - Using TUYA APP
Warranty	3 Years Replacement*



Antique Brass



Black



Brass Coloured



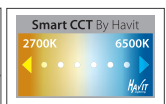
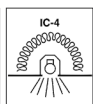
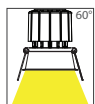
Copper Coloured



Nickel Coloured



White



Warranty
Terms & Conditions

Website



Compatible with major smart home systems.




HaviSMART™



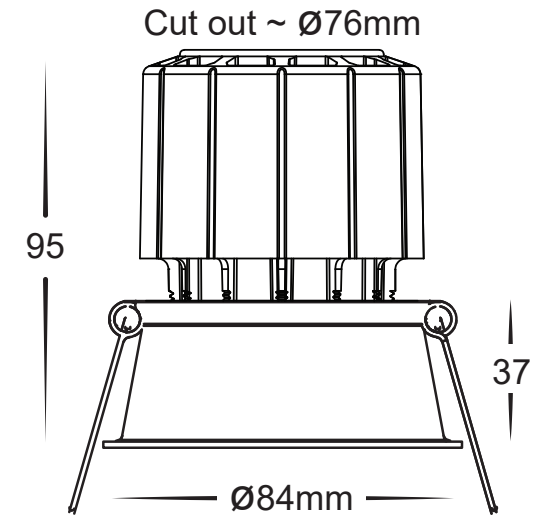
Havit Lighting 143 Beauchamp Road, Matraville, N.S.W. 2036 | Phone: 02 9381 8300 | Fax: 02 9381 6661 | Email: sales@havit.com.au | Web: www.havit.com.au

*See Warranty Terms & Conditions for more information

Product Ordering

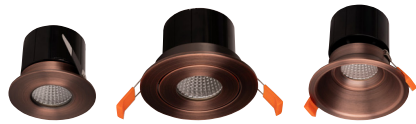
Image	Part Number	Colour Temp	Lumens	Input Voltage	Beam Angle	Included LED	Barcode
	HV5513CCT-AB	2700K - 6500K	815lm - 865lm	240v	60°	CCT 12w Built in LED	9350418034281
	HV5513CCT-BLK						9350418010025
	HV5513CCT-BR						9350418034298
	HV5513CCT-CP						9350418034304
	HV5513CCT-NK						9350418034311
	HV5513CCT-WHT						9350418010063

Dimensions



Installation Diagram

Related Products



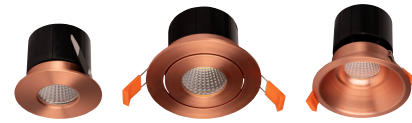
Antique Brass



Black



Brass Coloured



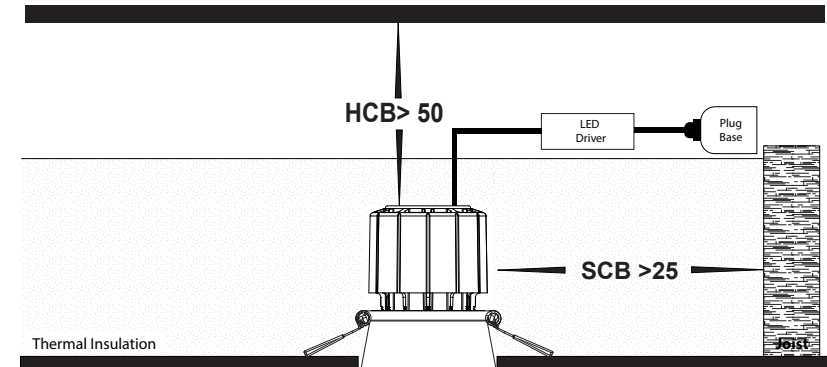
Copper Coloured



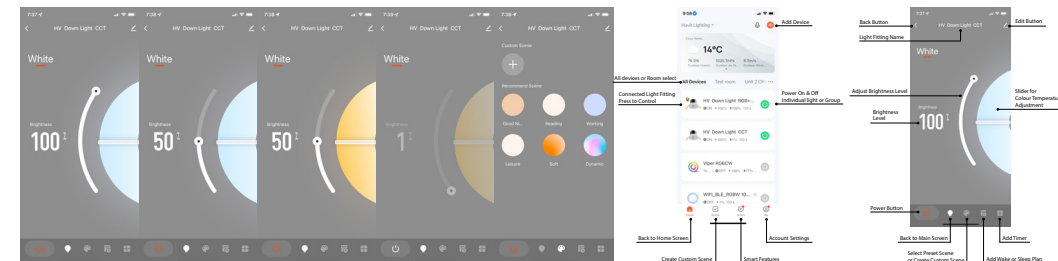
Nickel Coloured



White



APP Screenshots



Havit Lighting 143 Beauchamp Road, Matraville, N.S.W. 2036 | Phone: 02 9381 8300 | Fax: 02 9381 6661 | Email: sales@havit.com.au | Web: www.havit.com.au