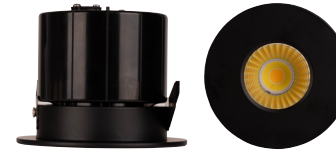


Prime Aluminium Recessed LED Downlight

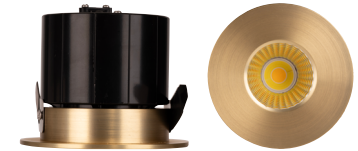
Name	Prime
Material	Aluminium
Colour	Antique Brass, Black, Brass, Copper, Nickel & White
Cut Out	Ø70mm
IP Rating	IP54 (Front of fitting only)
Colour Temp	<div style="display: flex; gap: 5px;"> <div style="width: 10px; height: 10px; background-color: #FFD700; border: 1px solid black;"></div> 3000k <div style="width: 10px; height: 10px; background-color: #ADD8E6; border: 1px solid black;"></div> 4000k <div style="width: 10px; height: 10px; background-color: #0000FF; border: 1px solid black;"></div> 5500k </div>
IK Rating	IK06
Installation Type	Ceiling - Recessed
Diffuser Type	Clear Glass
Tilt	No
Lamp Base	Built in LED
Max Wattage	12w
Protection Class	2 (No Earth Required)
Lamp Expectancy	<50,000hrs*
IC Rated	IC-4
CRI	CRI>90
SDCM	<4
UGR	<22
Flex & Plug	Yes - Included
Dimmable	Yes - Triac Dimmable
Warranty	3 Years Replacement*



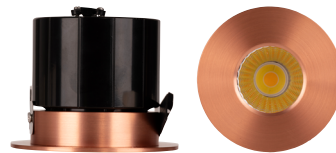
Antique Brass



Black



Brass Coloured



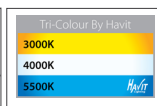
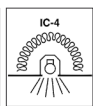
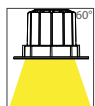
Copper Coloured



Nickel Coloured



White



Warranty
Terms & Conditions


Website



Havit Lighting 143 Beauchamp Road, Matraville, N.S.W. 2036 | Phone: 02 9381 8300 | Fax: 02 9381 6661 | Email: sales@havit.com.au | Web: www.havit.com.au

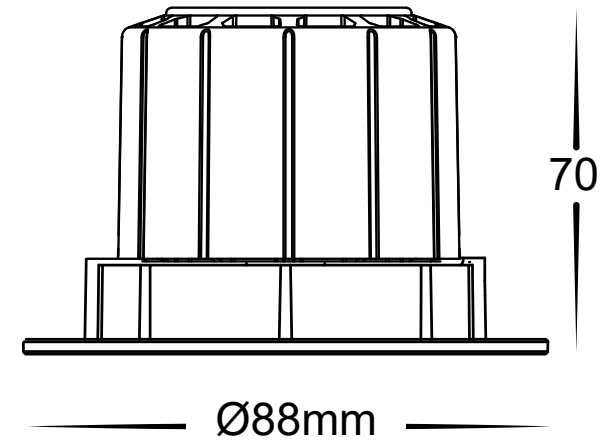
*See Warranty Terms & Conditions for more information

Product Ordering

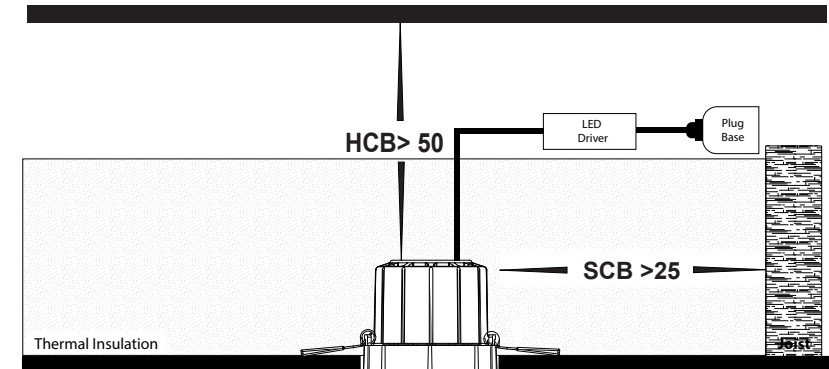
Image	Part Number	Colour Temp	Lumens	Input Voltage	Beam Angle	Included LED	Barcode
	HV5511T-AB	 3000K  4000K  5500K	839lm 913lm 841lm	240v	60°	TRI Colour 12w Built in LED	9350418027979
	HV5511T-BLK						9350418034045
	HV5511T-BR						9350418034052
	HV5511T-CP						9350418034069
	HV5511T-NK						9350418034076
	HV5511T-WHT						9350418010049

Dimensions

Cut out ~ Ø70mm



Installation Diagram



Related Products



Antique Brass



Black



Brass Coloured




Copper Coloured



Nickel Coloured



White

Image	Part Number	Description
Triac Dimmer		
	HV9625	Triac Dimmer to suit Triac Dimmable Drivers



Havit Lighting 143 Beauchamp Road, Matraville, N.S.W. 2036 | Phone: 02 9381 8300 | Fax: 02 9381 6661 | Email: sales@havit.com.au | Web: www.havit.com.au

*See Warranty Terms & Conditions for more information