

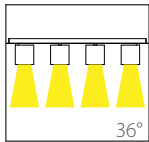
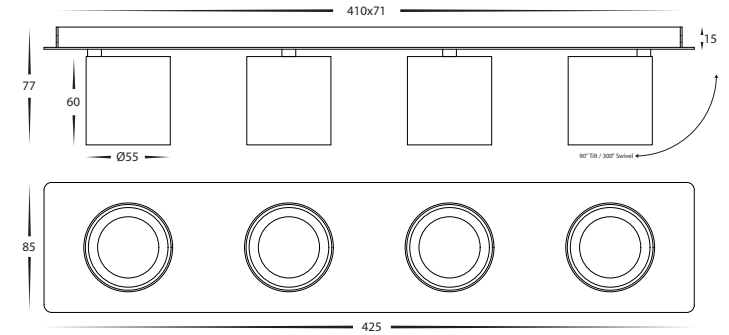
# Sbarra Aluminium Black & White

## 4 Light Adjustable Bar Light

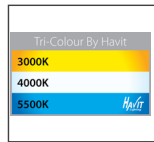
<b>Name</b>	Sbarra
<b>Material</b>	Aluminium
<b>Colour</b>	Powder Coated Black or White
<b>IP Rating</b>	IP20
<b>Colour Temp</b>	3000k, 4000k, 5500k (Tri Colour)
<b>IK Rating</b>	IK04
<b>Installation Type</b>	Ceiling or Wall - Surface Mounted
<b>Diffuser Type</b>	Glass
<b>Lamp Base</b>	Built in LED
<b>Protection Class</b>	1 ( Earth Required)
<b>Max Wattage</b>	4x 8w
<b>Lamp Expectancy</b>	<30,000hrs*
<b>CRI</b>	CRI>80
<b>SDCM</b>	<5
<b>UGR</b>	<29
<b>Dimmable</b>	Yes - Triac Dimmable
<b>Warranty</b>	3 Years Replacement*



### Dimensions



36°



Warranty  
Terms & Conditions



Website

### Product Ordering

Image	Part Number	Colour Temp	Lumens	Input Voltage	Beam Angle	Included LED	Barcode
	<b>HV4003T-4-BLK</b>	3000K 4000K 5500K	4x 640lm 4x 720lm 4x 680lm	240v	36°	<b>Tri Colour</b> 4x 8w Built in LED	9350418042293
	<b>HV4003T-4-WHT</b>	3000K 4000K 5500K	4x 640lm 4x 720lm 4x 680lm	240v	36°	<b>Tri Colour</b> 4x 8w Built in LED	9350418042286

\*See Warranty Terms & Conditions for more Information

### Optional Havit Compatible Accessories

Image	Part Number	Description
<b>Dimmer</b>		
	<a href="#">HV9625</a>	300W LED Dial Dimmer

### Related Products



[HV4003T-1-BLK](#)



[HV4003T-2-BLK](#)



[HV4003T-3-BLK](#)



[HV4003T-1-WHT](#)



[HV4003T-2-WHT](#)



[HV4003T-3-WHT](#)



Havit Lighting 143 Beauchamp Road, Matraville, N.S.W. 2036 | Phone: 02 9381 8300 | Fax: 02 9381 6661 | Email: sales@havit.com.au | Web: www.havit.com.au