

PRODUCT SPECIFICATIONS

Name: Cono

Material: Aluminium

Colour: Black or White

IP Rating: IP54

Lamp Base: Built in LED

CRI: ≥80

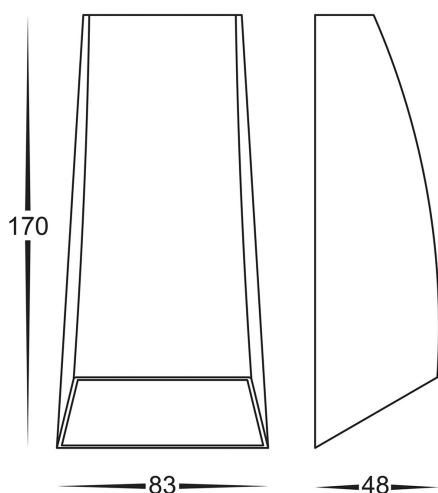
Wiring: Parallel

Dimmable: No

Warranty: 2 years replacement**



HV3651-BLK



HV3651-WHT

PART NUMBER	COLOUR TEMP	LUMENS*	INPUT VOLTAGE	BEAM ANGLE	INCLUDED GLOBES
HV3651T-BLK	3000K	2x 240lm 2x 250lm 2x 260lm	240v AC	60°	2x 3w Built in LED
HV3651T-WHT	4000K				
	5500K				

* Lumen output measured at source

** See Warranty Terms and Conditions for more information